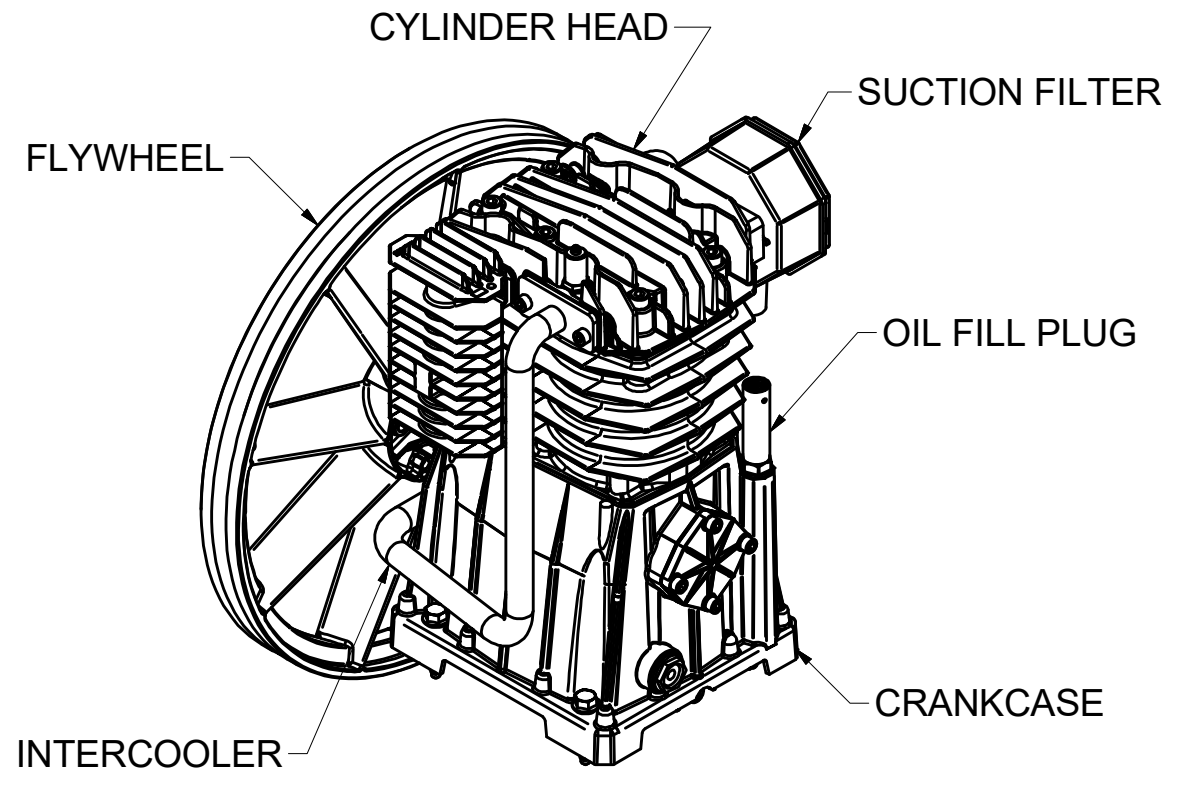
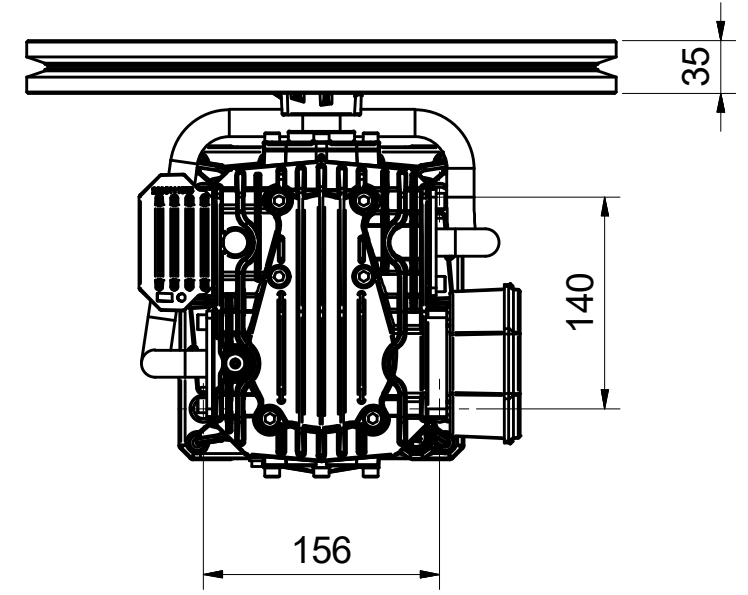
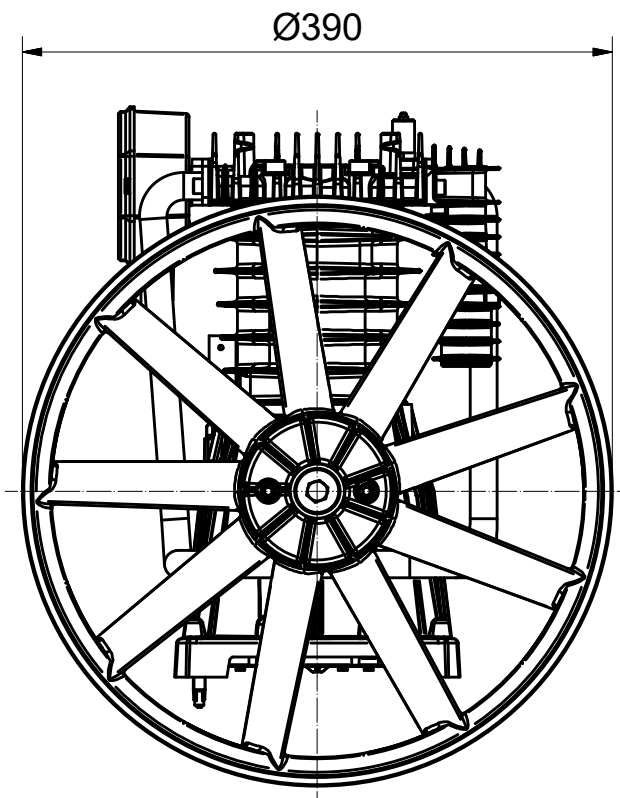
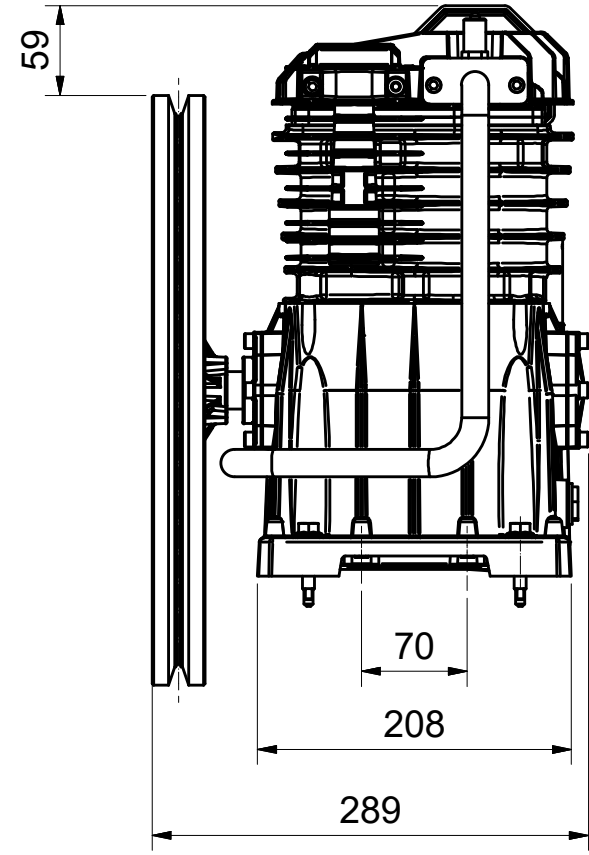
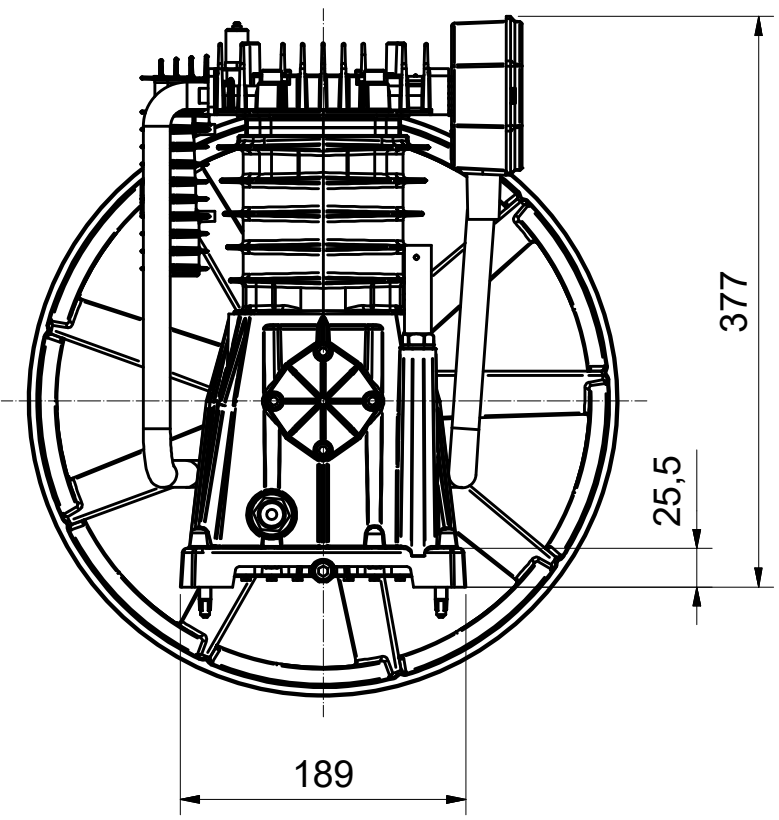


All materials supplied are in compliance with the requirements of the List of Prohibited Substances



Tolerances, if not indicated, according to:					
ATLAS COPCO STANDARD CLASS					
Name	DIMENSION DRAWING A49B COMPLETE PUMP		Confidentiality Class	acc. to 1102 K	
Material	Not Applicable		Confidential		
Treatment	Not Applicable		INV		
	Scale	1:5	Family	Compare	
	Drawn by	INEsn	Blank nr.	Replaces	
STATUS	Drawing format	Blank wt	Kg	Fini wt.	N/A
Approved	Des checked.	Prod checked.	Approved.	Date	2018-01-15
	Designation				Sheet 1 / 1
					1609402479

CONFIDENTIAL: This document is property of Atlas Copco AB and shall not without our permission be altered, copied, used for manufacturing or communicated to any other person or company.

00		DN 17 2000 96 : First Release	2018-01-15		1609402479		
Ed	Position	Modified from	Date	Intr./Appd.	Parent 3D model	Ed . Version 3D	Approved