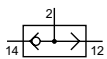


**Technical details**

<b>Temperature range</b>	-10°C ... +70°C (-10°C...+60°C for use in ATEX areas)
<b>Medium</b>	Filtered, oil-free and dried compressed air according to ISO 8573-1:2010, Class 7:2:4, instrument air, free of aggressive additives. Differing the pressure dew point must be at least 10°C below lowest occurring ambient temperature.
<b>Materials</b>	Body: Al (anodized), seals: NBR, inner parts: stainless steel and brass
	Products without their own potential ignition source in accordance with Directive 2014/34/EU, suitable for use in hazardous areas.



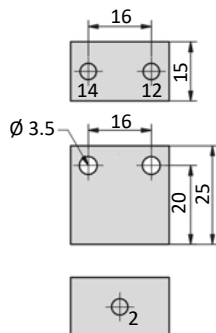
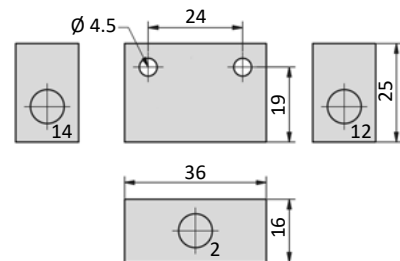
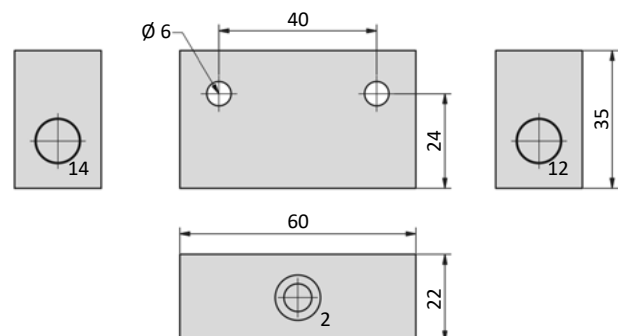
Output signal is present if one inlet is pressurized. The higher input signal (min. difference 0.2 bar) is dominant.

**OR valves**


OR-xx  
OR valve

**Technical data**

Model-no.:	OR-25	OR-18	OR-14-01
<b>Connection</b>	M5	G1/8	G1/4
<b>Nominal size (mm)</b>	3.2	4	5.5
<b>Operating pressure (bar)</b>	-0.95 ... 10	-0.95 ... 10	-0.95 ... 10
<b>Min. difference (bar)</b>	0.2	0.2	0.2
<b>Flow rate (NI/min)</b>	160	280	900
<b>Weight (kg)</b>	0.026	0.038	0.110

**Dimensions**
**OR-25**

**OR-18**

**OR-14-01**


12, 14 = signal input  
2 = signal output



## Valves Function valvесе

### Function valves

#### Explosion-proof equipment without inherent potential ignition sources

The valves **VZ-**, **SU-**, **AN-**, **OR-**, **SE-** do not fall into the scope of the EU Directive 2014/34/EC They are not subjected by Article 1 (2) and (3) of Directive 2014/34/EC. It has been proven by an ignition risk analysis that the valves have no potential ignition source of their own. They can be used in compliance with the requirements of e.g. DIN EN 1127-1:2019, DIN EN IEC 60079-0:2019, DIN EN ISO 80079-36:2016 and DIN EN ISO 80079-37:2016 in

Zone 1 explosion groups IIA, IIB and IIC, Zone 21 explosion groups IIIA, IIIB and IIIC  
Zone 2 explosion groups IIA, IIB and IIC, Zone 22 explosion groups IIIA, IIIB and IIIC

The valves are not marked within the meaning of the ATEX Directive. They have to meet the requirements of the existing zones.

#### Available valves

Series	Versions	Series	Versions
SE	SE-12, SE-14, SE-18	OR	OR-14-01, OR-18, OR-25
SU	SU-18-310, SU-25-310	VZ	VZ-18-310, VZ-18-310-20, VZ-25-310
AN	AN-18, AN-25		