

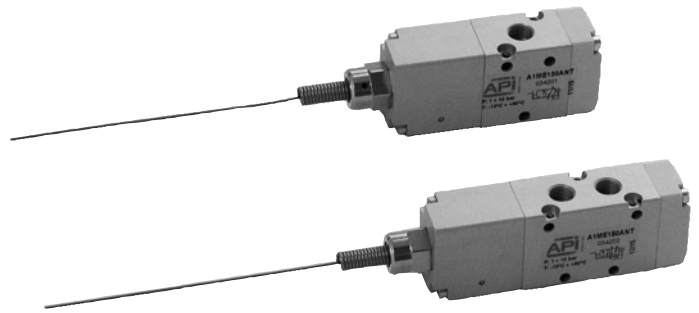
# Valves series A1

1/8", 3/2 - 5/2, Mechanically operated



| Standard executions  |        |        |            |
|----------------------|--------|--------|------------|
| Version              | Symbol | Code   | Item       |
| 3/2 NC spring return |        | 034201 | A1ME130ANT |
| 5/2 spring return    |        | 034202 | A1ME150ANT |

New



Servo-assisted sensitive aerial spool valves, with static seals, high flow.

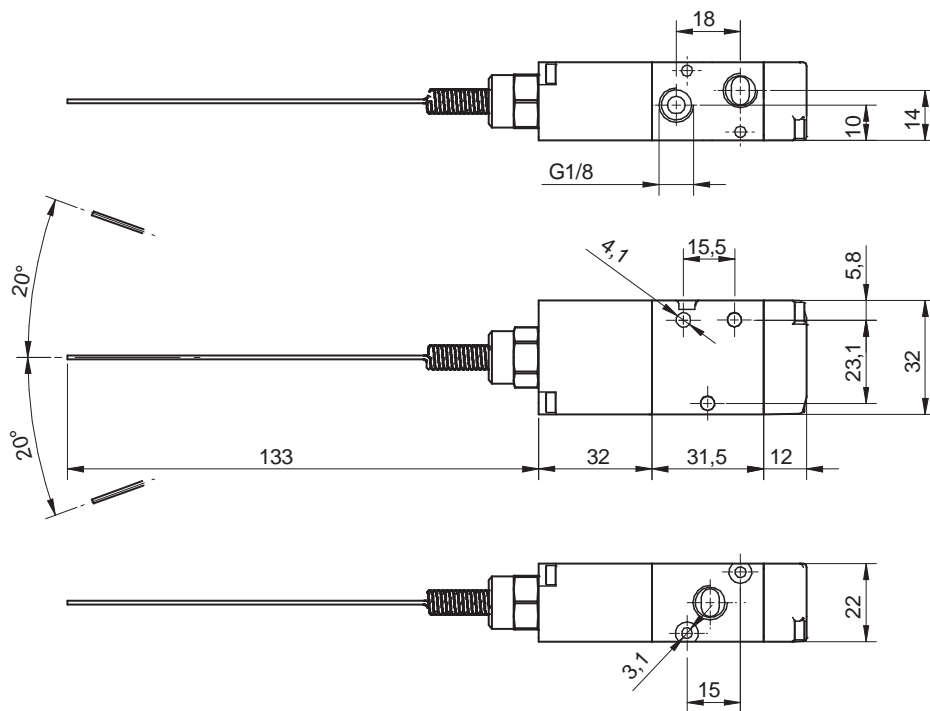
### Code key

| Series | Actuation       | Size     | Function  | Actuation              |
|--------|-----------------|----------|---|------------------------|
| A1     | ME=Mechanically | 1 = 1/8" | 30 = 3/2 NC spring return<br>50 = 5/2 spring return | ANT = sensitive aerial |

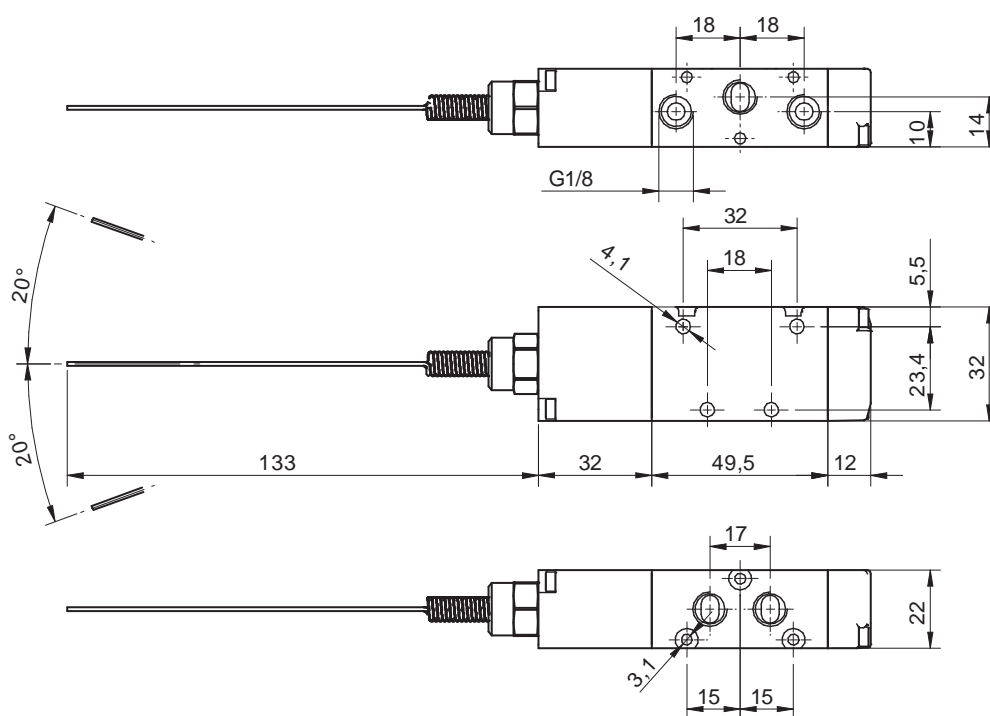
2

| Technical data            |  |
|---------------------------|--|
| Fluid                     | Compressed filtered air with or without lubrication. Lubrication, if started, must be continued.   |
| Pressure range            | 1 ÷ 10 bar   |
| Temperature range         | -10 °C ÷ + 60°C  |
| Orifice                   | 6,5 mm   |
| Flow                      | 650 NI/min a 6 bar at ΔP 1 bar   |
| Minimum piloting pressure | 1 bar  |
| Mounting                  | In any position  |
| Materials                 | Body: Anodised aluminium<br>Covers: Delrin 500<br>Spool: Hard aluminium anodized<br>Distancers: Fortron 1140 L4<br>Spring: Stainless steel AISI 304<br>Seals: Hydrogenated Nitrile Butadiene Rubber (HNBR) |

Valves series A1  
1/8", 3/2 - 5/2, Mechanically operated



| Version              | Symbol | Code   | Item       |
|----------------------|--------|--------|------------|
| 3/2 NC spring return |        | 034201 | A1ME130ANT |



| Version           | Symbol | Code   | Item       |
|-------------------|--------|--------|------------|
| 5/2 spring return |        | 034202 | A1ME150ANT |