

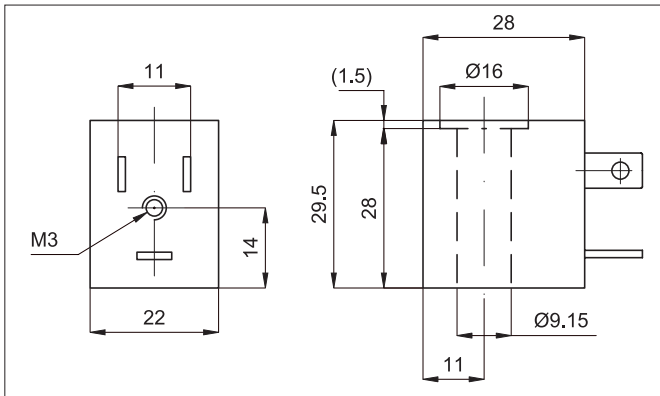
### Type ASA12

Series of coils with low electrical consumption conforming to EN 60204.1 and VDE 0580 standards, class F.

They can be mounted on the following valves: APA.. , AE14.. , AEF.. , AEC...

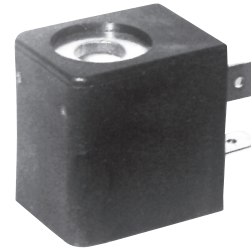
For the connectors type A122.. see page 2.210.20.

Voltage	Code	Item
12V DC	032100	ASA1201200
12V AC	032101	ASA1201250
24V DC	032102	ASA1202400
24V AC	032103	ASA1202450
48V AC	032104	ASA1204850
110V AC	032105	ASA1211050
230V AC	032106	ASA1222050



On request, they can be supplied according Directive 94/9/EC - ATEX

CE Ex II 3 GDc T5



Technical data	Direct current	Alternating current
Voltage tolerance	± 10%	± 10%
Frequency tolerance	-	± 5%
Electrical consumption	3 W	4,2 VA
Voltage	12 e 24 V	12, 24, 48,110, 230 V 50/60HZ
Duty cycle	100% ED	
Class protection	IP 65 (with connector already mounted)	
Temperature range	-20 °C ÷ + 50 °C	
Response time	10 ms	

2

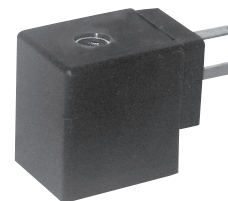
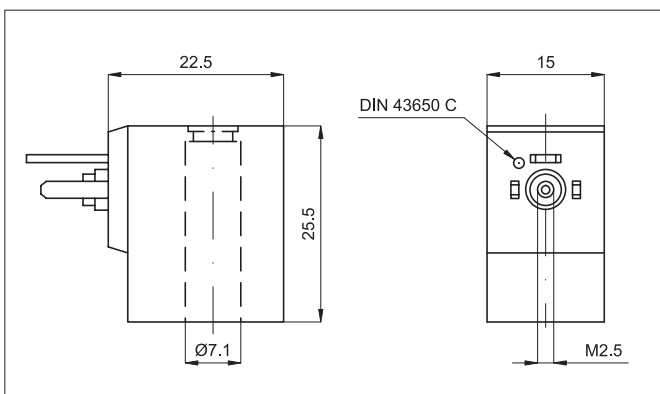
### Type ASA18

Series of coils with low electrical consumption and conforming to EN 60335.1 standards, class F.

They can be mounted on the following valves: AE15.. , AE18...

For the connectors type A052.. see page 2.210.1.

Voltage	Code	Item
12V DC	034331	ASA1801200
12V AC	034332	ASA1801250
24V DC	034333	ASA1802400
24V AC	034334	ASA1802450
48V AC	034335	ASA1804850
110V AC	034336	ASA1811050
230V AC	034337	ASA1823050



Technical data	Direct current	Alternating current
Voltage tolerance	± 10%	± 10%
Frequency tolerance	-	± 5%
Electrical consumption	1 W	2 / 1,7 VA (50/60HZ)
Voltage	12 e 24 V	12, 24, 48,110, 230 V 50/60HZ
Duty cycle	100% ED	
Class protection	IP 65 (with connector already mounted)	
Temperature range	-20 °C ÷ + 50 °C	
Response time	10 ms	