

-10°C AIR VESSELS

VERTICAL PAINTED

11 · 12 · 16 bar

Material

Carbon steel

Fluid content

Compressed air / Nitrogen (group 2)

Finishing

External Ral 5015 blue paint (standard)

Directive

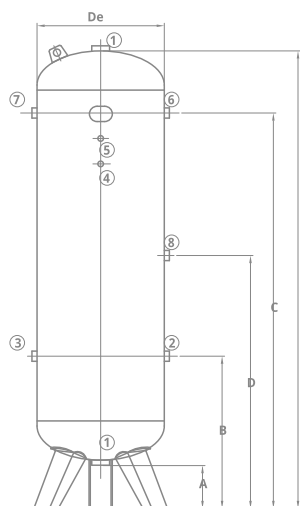
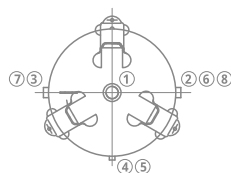
2014/29/UE 2014/68/UE(PED)

Operating pressure

11/16 bar 12/16 bar

Operating temperature

-10 +120°C -10 +50°C



CODE	Directive	Capacity	Operating pressure	De	A	B	C	D	L	1	2	3	4	5	6	7	8	Weight
										inch	inch	inch	inch	inch	inch	inch	inch	

RAL 5015*

VEC00644	2014/29/UE	100	11	370	180	355	1055	=	1213	1 1/2"	3/4"	=	3/8"	3/8"	=	3/4"	=	31
VEC00709	2014/29/UE	150	11	396	170	385	1210	=	1430	1 1/2"	1"	=	3/8"	3/8"	=	1"	=	44
VEC00645	2014/29/UE	200	11	446	175	400	1225	=	1557	1 1/2"	1"	=	3/8"	3/8"	=	1"	=	55
VEC00478	2014/29/UE	270	11	500	175	599	1304	=	1648	1 1/2"	1"	1"	=	3/8"	1"	=	=	67
VEC00493	2014/29/UE	500	11	600	155	785	1665	=	2050	1 1/2"	1"	1"	=	3/8"	1"	1"	=	115
VEC00370	2014/29/UE	500	11	600	155	785	1665	=	2050	2"	2"	2"	=	3/8"	2"	2"	=	116
VEC00510	2014/29/UE	720	11	750	147	880	1705	=	2030	2"	2"	2"	3/8"	3/8"	2"	2"	=	178
VEC06236	2014/29/UE	720	11	800	145	580	1310	=	1745	2"	2"	2"	3/8"	3/8"	2"	2"	=	155
VEC05025	2014/29/UE	900	11	800	145	875	1805	=	2140	2"	2"	2"	3/8"	3/8"	2"	2"	=	194
VEC00518	2014/68/UE(PED)	1000	12	800	145	770	1720	=	2350	2"	2"	2"	3/8"	3/8"	2"	2"	=	210
VEC00525	2014/68/UE(PED)	1500	12	1000	170	680	1780	=	2305	2"	2"	2"	1 1/2"	1 1/2"	2"	2"	=	320
VEC00528	2014/68/UE(PED)	2000	12	1100	200	770	1970	=	2490	2"	2"	2"	1 1/2"	1 1/2"	2"	2"	=	388
VEC00530	2014/68/UE(PED)	2000	12	1100	200	770	1970	=	2490	2"	3"	3"	1 1/2"	1 1/2"	3"	3"	=	390
VEC00535	2014/68/UE(PED)	3000	12	1200	140	830	2250	1540	2990	2"	2"	2"	1 1/2"	1 1/2"	2"	2"	2"	594
VEC01360	2014/68/UE(PED)	3000	12	1200	140	830	2250	1540	2990	2"	3"	3"	1 1/2"	1 1/2"	3"	3"	3"	596
VEC00879	2014/29/UE	270	16	500	175	599	1304	=	1648	1 1/2"	1"	1"	=	3/8"	1"	=	=	101
VEC00139	2014/29/UE	500	16	600	155	785	1665	=	2050	2"	2"	2"	=	3/8"	2"	2"	=	145
VEC00366	2014/68/UE(PED)	1000	16	800	145	770	1720	=	2350	2"	2"	2"	3/8"	3/8"	2"	2"	=	245
VEC01058	2014/68/UE(PED)	1500	16	1000	170	680	1780	=	2305	2"	2"	2"	1 1/2"	1 1/2"	2"	2"	=	423
VEC00532	2014/68/UE(PED)	2000	16	1000	170	770	2185	=	2740	2"	2"	2"	1 1/2"	1 1/2"	2"	2"	=	450
VEC00537	2014/68/UE(PED)	3000	16	1200	140	830	2250	1540	2990	2"	2"	2"	1 1/2"	1 1/2"	2"	2"	2"	630

-10°C AIR VESSELS

VERTICAL

GALVANIZED

11 · 12 · 16 bar

Material

Carbon steel suitable for galvanization

Fluid content

Compressed air / Nitrogen (group 2)

Finishing

Internal and external hot-dip galvanization

Directive

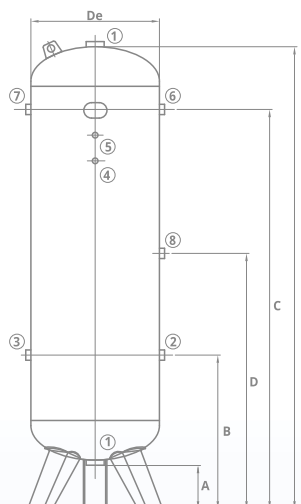
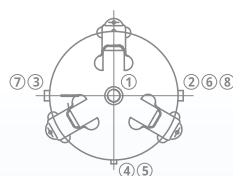
2014/29/UE 2014/68/UE(PED)

Operating pressure

11/16 bar 12/16 bar

Operating temperature

-10 +120°C -10 +50°C



CODE	Directive	Capacity	Operating pressure	De	A	B	C	D	L	1	2	3	4	5	6	7	8	Weight
		lt	bar	mm	mm	mm	mm	mm	mm	inch	inch	inch	inch	inch	inch	inch	inch	kg

GALVANIZED

VEC00901	2014/29/UE	100	11	370	170	355	1055	=	1213	2"	3/4"	=	3/8"	3/8"	=	3/4"	=	32
VEC02471	2014/29/UE	150	11	396	170	385	1210	=	1430	2"	1"	=	3/8"	3/8"	=	1"	=	46
VEC00908	2014/29/UE	200	11	446	170	400	1225	=	1557	2"	1"	=	3/8"	3/8"	=	1"	=	57
VEC00909	2014/29/UE	270	11	500	170	599	1304	=	1648	2"	1"	1"	=	3/8"	1"	=	=	70
VEC00906	2014/29/UE	500	11	600	155	785	1665	=	2050	2"	2"	2"	=	3/8"	2"	2"	=	119
VEC00907	2014/29/UE	720	11	750	135	880	1705	=	2030	2"	2"	2"	3/8"	3/8"	2"	2"	=	181
VEC05980	2014/29/UE	720	11	800	145	580	1310	=	1745	2"	2"	2"	3/8"	3/8"	2"	2"	=	155
VEC04703	2014/29/UE	900	11	800	145	875	1805	=	2140	2"	2"	2"	3/8"	3/8"	2"	2"	=	198
VEC00519	2014/68/UE(PED)	1000	12	800	145	770	1720	=	2350	2"	2"	2"	2"	3/8"	3/8"	2"	=	214
VEC00526	2014/68/UE(PED)	1500	12	1000	170	680	1780	=	2305	2"	2"	2"	2"	1/2"	1/2"	2"	=	325
VEC00529	2014/68/UE(PED)	2000	12	1100	200	770	1970	=	2490	2"	2"	2"	2"	1/2"	1/2"	2"	=	394
VEC02276	2014/68/UE(PED)	2000	12	1100	200	770	1970	=	2490	2"	3"	3"	1/2"	1/2"	3"	3"	=	398
VEC00536	2014/68/UE(PED)	3000	12	1200	140	830	2250	1540	2990	2"	2"	2"	2"	1/2"	1/2"	2"	2"	600
VEC01368	2014/68/UE(PED)	3000	12	1200	140	830	2250	1540	2990	2"	3"	3"	1/2"	1/2"	3"	3"	3"	604
VEC00900	2014/29/UE	270	16	500	170	599	1304	=	1648	2"	1"	1"	=	3/8"	1"	=	=	104
VEC00500	2014/29/UE	500	16	600	155	785	1665	=	2050	2"	2"	2"	=	3/8"	2"	2"	=	149
VEC00402	2014/68/UE(PED)	1000	16	800	150	770	1720	=	2350	2"	2"	2"	3/8"	3/8"	2"	2"	=	249
VEC02278	2014/68/UE(PED)	1500	16	1000	170	680	1780	=	2305	2"	2"	2"	1/2"	1/2"	2"	2"	=	428
VEC00533	2014/68/UE(PED)	2000	16	1000	170	770	2185	=	2740	2"	2"	2"	1/2"	1/2"	2"	2"	=	455
VEC00538	2014/68/UE(PED)	3000	16	1200	140	830	2250	1540	2990	2"	2"	2"	1/2"	1/2"	2"	2"	2"	635

-10°C AIR VESSELS

VERTICAL

ALM

11 · 12 · 16 bar

Material

Carbon steel suitable for galvanization

Fluid content

Compressed air / Nitrogen (group 2)

Finishing

External Ral 5015 blue paint (standard)

Internal Ral 5005 ALM paint

Directive

2014/29/UE

2014/68/UE(PED)

Operating pressure

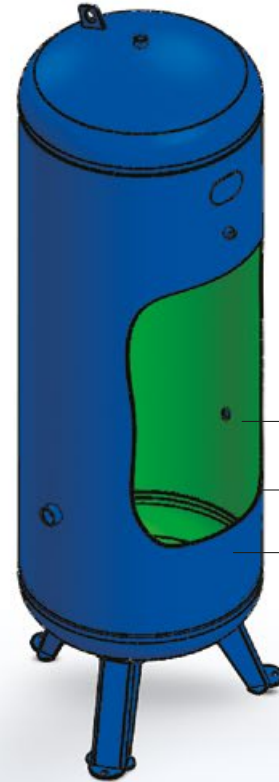
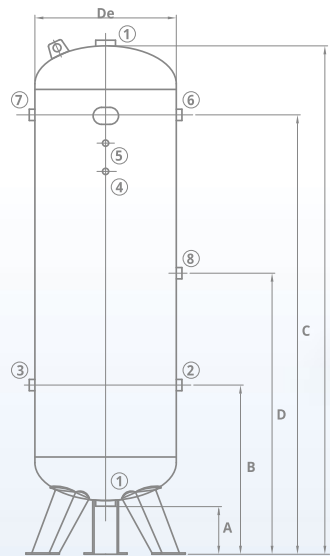
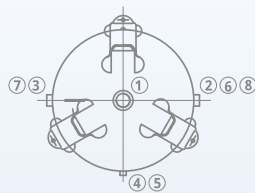
11/16 bar

12/16 bar

Operating temperature

-10 +120°C

-10 +50°C



ALM
RAL 5005

CARBON
STEEL

RAL 5015

CODE	Directive	Capacity	Operating pressure	De	A	B	C	D	L	1	2	3	4	5	6	7	8	Weight
										inch	inch	inch	inch	inch	inch	inch	inch	

ALM

VEC01125	2014/29/UE	270	11	500	170	599	1304	=	1648	2"	1"	1"	=	3/8"	1"	=	=	67
VEC01118	2014/29/UE	500	11	600	155	785	1665	=	2050	2"	2"	2"	=	3/8"	2"	2"	=	116
VEC01119	2014/29/UE	720	11	800	145	580	1310	=	1745	2"	2"	2"	3/8"	3/8"	2"	2"	=	155
VEC01120	2014/29/UE	900	11	800	145	875	1805	=	2140	2"	1 1/2"	1 1/2"	3/8"	3/8"	1 1/2"	1 1/2"	=	194
VEC01116	2014/68/UE(PED)	1000	12	800	145	770	1720	=	2350	2"	2"	2"	3/8"	3/8"	2"	2"	=	210
VEC01121	2014/68/UE(PED)	1500	12	1000	170	680	1780	=	2305	2"	2"	2"	1/2"	1/2"	2"	2"	=	320
VEC01122	2014/68/UE(PED)	2000	12	1100	200	770	1970	=	2490	2"	2"	2"	1/2"	1/2"	2"	2"	=	388
VEC01123	2014/68/UE(PED)	3000	12	1200	140	830	2250	1540	2990	2"	2"	2"	1/2"	1/2"	2"	2"	2"	594
VEC01935	2014/29/UE	270	16	500	175	599	1304	=	1648	1/2"	1"	1"	=	3/8"	1"	=	=	101
VEC02279	2014/29/UE	500	16	600	155	785	1665	=	2050	2"	2"	2"	=	3/8"	2"	2"	=	145
VEC02310	2014/68/UE(PED)	1000	16	800	145	770	1720	=	2350	2"	2"	2"	3/8"	3/8"	2"	2"	=	245
VEC02143	2014/68/UE(PED)	2000	16	1000	170	770	2185	=	2740	2"	2"	2"	1/2"	1/2"	2"	2"	=	450
VEC02464	2014/68/UE(PED)	3000	16	1200	140	830	2250	1540	2990	2"	2"	2"	1/2"	1/2"	2"	2"	2"	630