

Cylinders DIN ISO 6431 and VDMA 24 562

Bores from 32 to 125 mm

Double acting



Standard executions			
Version	Shape of barrel	Symbol	Type
MAGNETIC STANDARD			AMA
			AMT



For the magnetic reed switches type ASV see from page 1.110.1.
 For coupling cylinders/reed switches/brackets see table on page 1.120.5
 For mounting accessories see from page 1.97.1.
 For rod accessories see from page 1.85.1.
 For dimensions of the cylinder with piston rod brake see page 1.75.15.

New series of cylinders conforming to DIN 6431 and VDMA 24 562 standards.

They can be supplied with two different shapes of the barrel: AMA type with grooves allowing to use the flush-mounted magnetic switch and the AMT type round with tie-rods.

The main features of this cylinder are the "clean" modern design and the attention to details.

A particular attention has been given to the manufacture of the end caps; there are no external casting cavities, thus eliminating contamination traps.



On request, they can be supplied according Directive 94/9/EC - ATEX
CE **II 2 GDc T5**

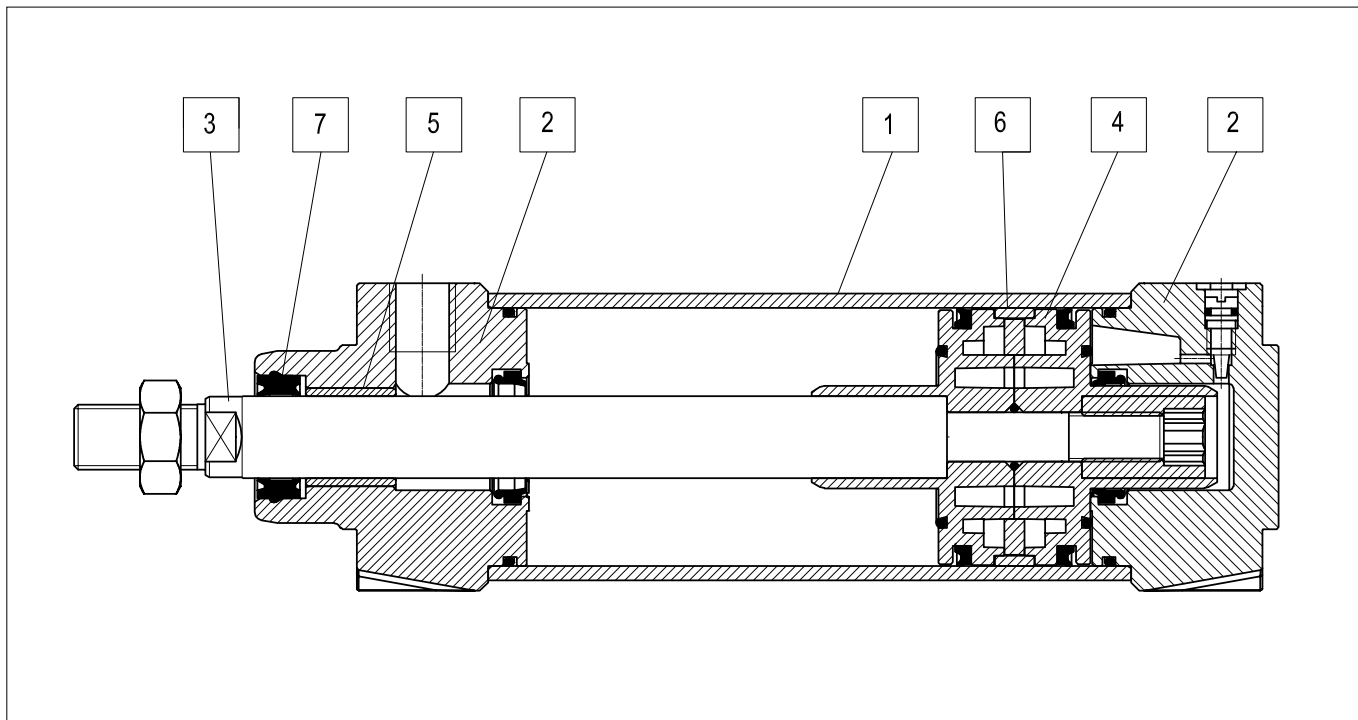
Options	Suffix
Through rod (page 1.5.4)	P
Rod in stainless steel AISI 304	K
Extended rod in hardened and chrome plated steel for the application of the piston rod brake (page 1.5.4)	B
Seals FKM max 150°C (scraper ring only = V1)	V
Tandem forward movement piston rods coupled together (page 1.5.5)	TA1
Tandem forward movement piston rods independent (page 1.5.5)	TA2
Tandem back to back (page 1.5.5)	TA3
Tandem front to front (page 1.5.5)	TA4
Extended rod (indicate the requested WH dimension in mm. E.g.: WH -100).	WH-...
Without adjustable cushionings	D
Adjustable rear cushioning only	D1
Adjustable front cushioning only	D2
Special male thread (indicate the requested thread. E.g. : R-M 10x1,5). The dimension AM of the special thread will be the same as the standard. The cylinder will be supplied without rod nut.	R-M...
Female thread; for dimensions see page 1.5.4	F
With bellows for protection of the rod (in this case the dimension WH will be extended according the stroke of the cylinder)	Z
Low friction (type AMT only)	L
Non-rotating rod (oval rod)	N
Special on request	/S

The options can be combined (when this is possible).

The suffix of the options are to be added to the model number of the standard product, as shown in the following table.

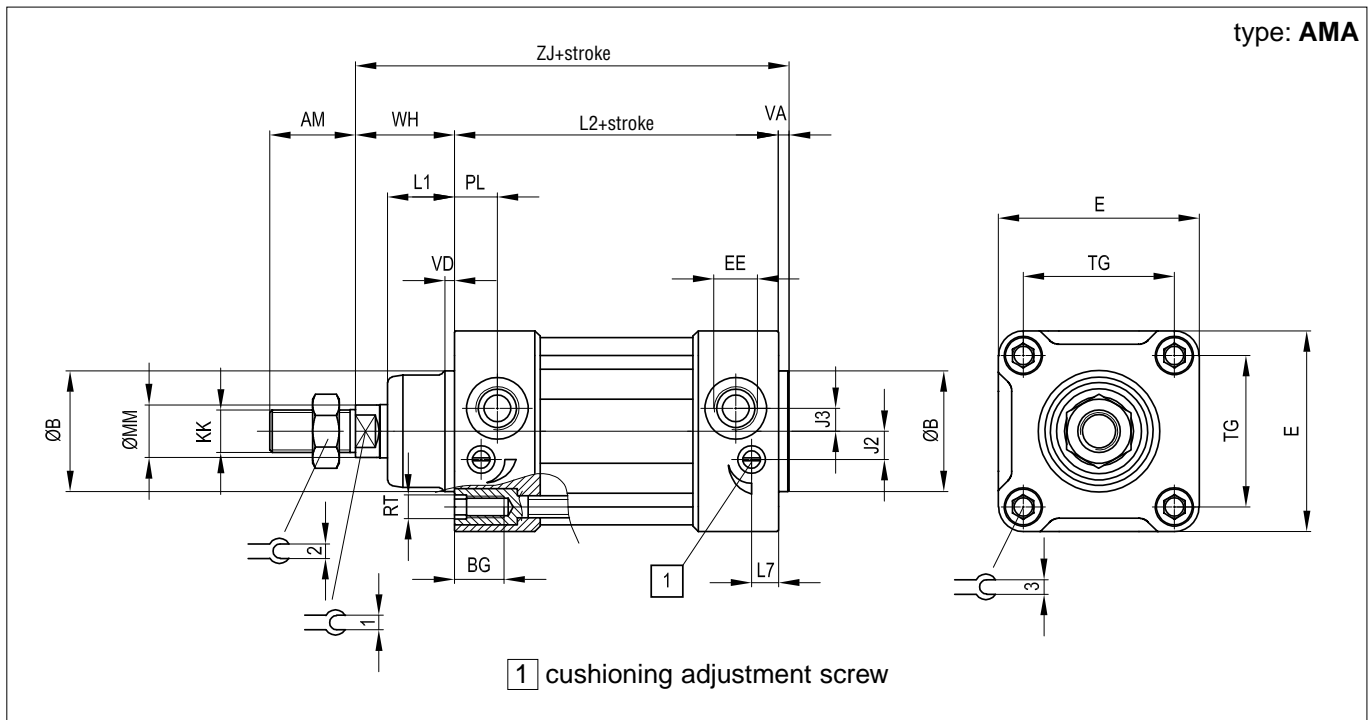
How to order: 63 / 100 AMAKVR-M12x1,25

63	/	100	AMA	K	V	R-M12X1,25
Bore	/	Stroke	Type	Option	Option	Option



Materials (standard types)	
1	Tube Anodised aluminium
2	Heads Die-cast painted aluminium
3	Rod Chrome-plated steel C45
4	Piston Die-cast aluminium
5	Bushing Self-lubricating sintered bronze
6	Guide ring Natural Delrin
7	Rod seals Polyurethane
	Other seals Nitrile rubber NBR/polyurethane

Technical data							
Bore (mm)	32	40	50	63	80	100	125
Fluid	Compressed filtered air with or without lubrication						
Pressure range	0,5 ÷ 10 bar						
Temperature range	-20 °C ÷ +80 °C						
Stroke	from 10 mm to 2500 mm						
Cushion length	20	22	25	25	35	35	35
Ports	1/8"	1/4"		3/8"		1/2"	
Rod thread	M10 x 1,25	M12 x 1,25	M16 x 1,5		M20 x 1,5		M27 x 2
Weight	Stroke zero (g)						
	Additional 10 mm stroke (g)						



Ø (mm)	AM	B Ø d11	BG	E	EE	J2	J3	KK	L1	L2
32	22	30	16	47	G ^{1/8}	6	5	M10x1,25	20	94
40	24	35	16	52	G ^{1/4}	8	6	M12x1,25	22	105
50	32	40	16	65	G ^{1/4}	10,5	6	M16x1,5	26	106
63	32	45	16	75	G ^{3/8}	10,5	8,5	M16x1,5	25	121
80	40	45	17	95	G ^{3/8}	14	9,5	M20x1,5	32	128
100	40	55	17	115	G ^{1/2}	15	10	M20x1,5	38	138
125	54	60	20	140	G ^{1/2}	20	10	M27x2	40	160

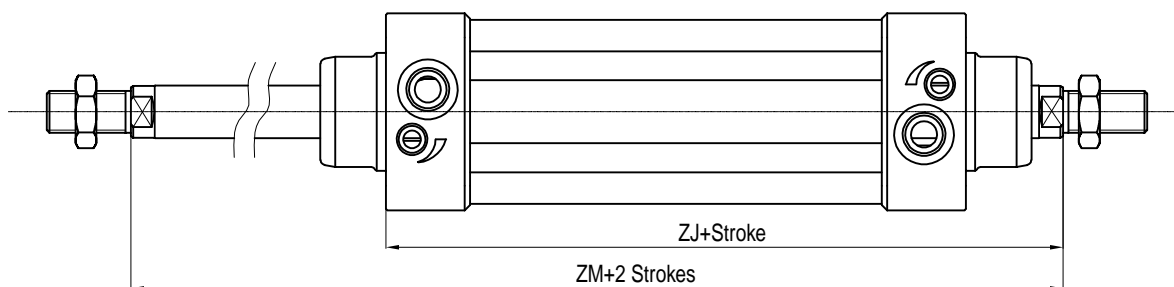
Ø (mm)	L7	MM Ø f7	PL	RT	TG	VA	VD	WH	ZJ	⌀ 1	⌀ 2	⌀ 3
32	18	12	14	M6	32,5	4	4	26	124	10	17	6
40	20	16	15	M6	38	4	4	30	139	13	19	6
50	20	20	15	M8	46,5	4	4	37	147	17	24	8
63	10	20	16	M8	56,5	4	4	37	162	17	24	8
80	13,5	25	20,5	M10	72	4	4	46	178	22	30	10
100	13	25	20	M10	89	4	4	51	193	22	30	10
125	33	32	25	M12	110	5	5	65	230	27	41	12

Seal kits	
n. 1	Rod seal
n. 2	Cushioning seal
n. 2	Piston lip-seal
n. 1	Linear rubber ring for piston (damper)
n. 2	Tube O-ring
n. 1	Piston guiding ring
n. 2	O-ring for cushioning screw
n. 1	O-ring to seal two semi-pistons

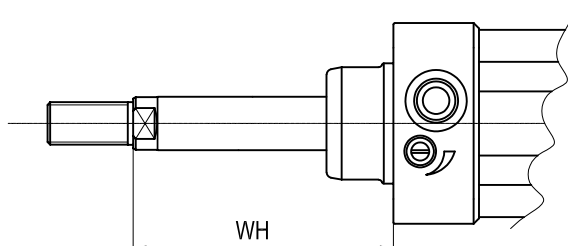
How to order: 63 / SG / AM

63	/	SG	/	AM
Bore	/	Seal kit	/	Type

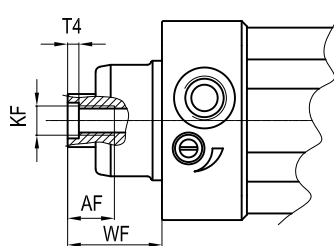
type: ...P



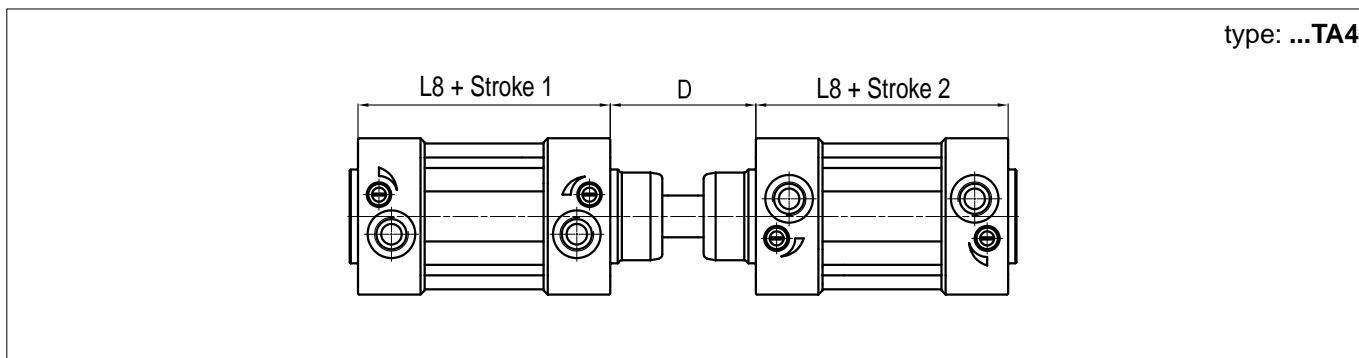
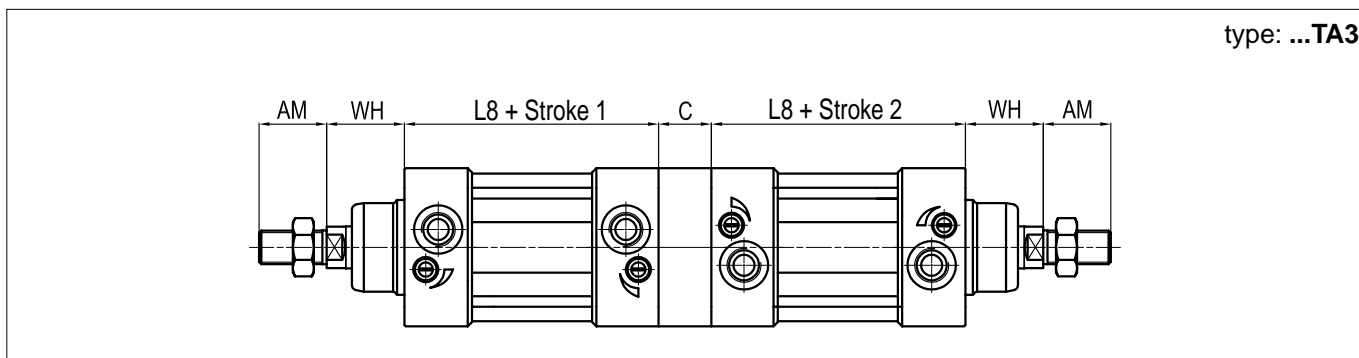
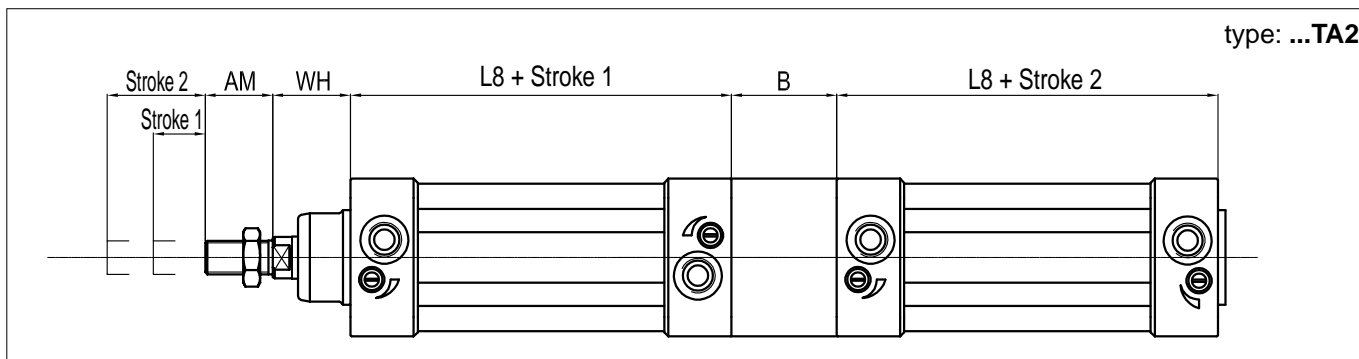
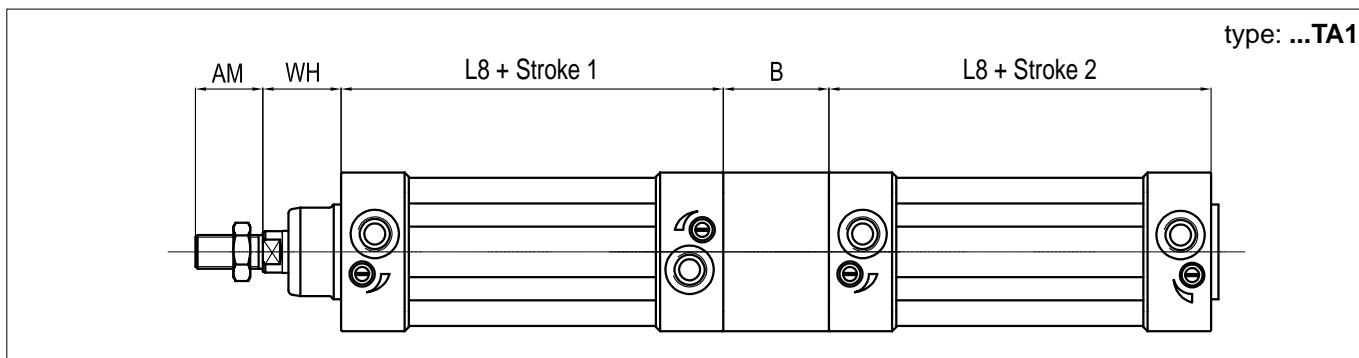
type: ...B



type: ...F



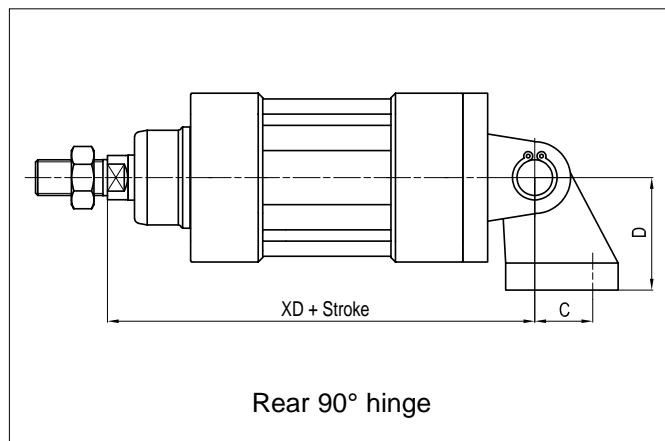
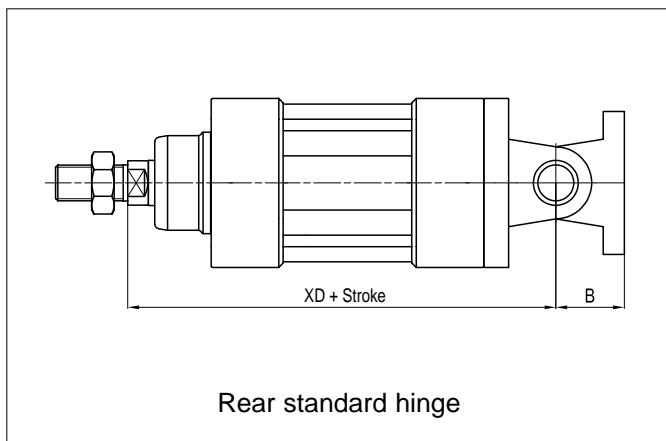
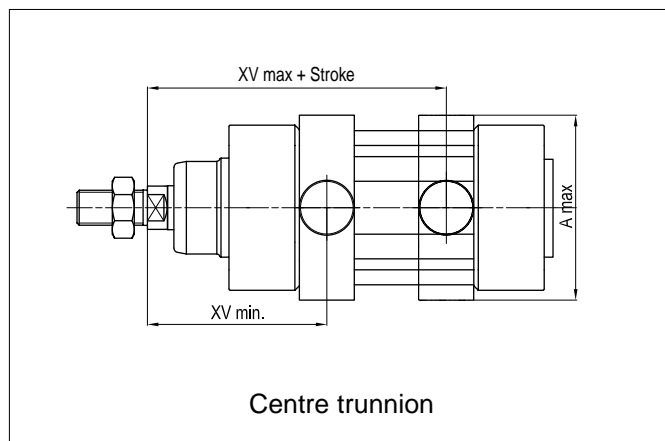
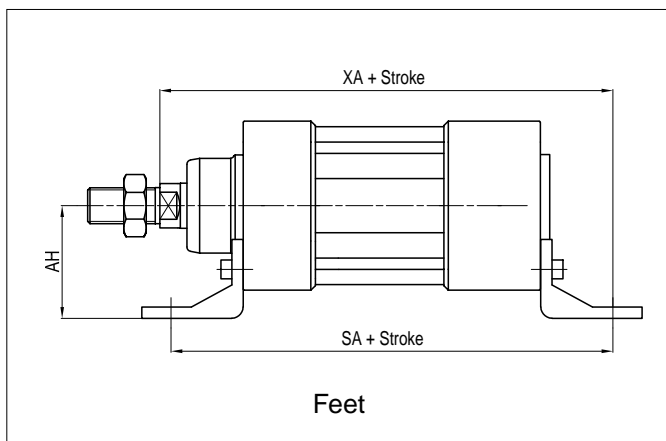
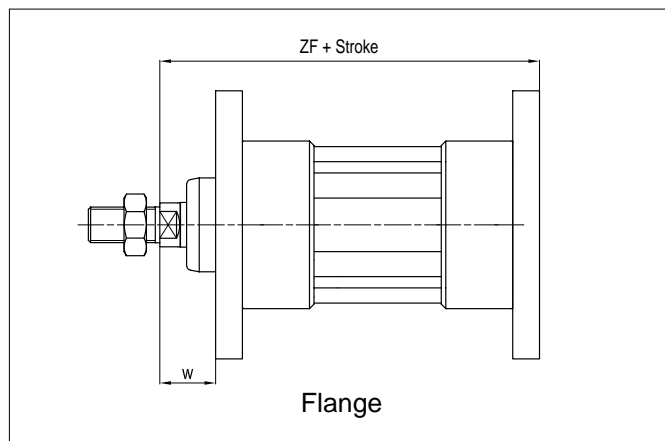
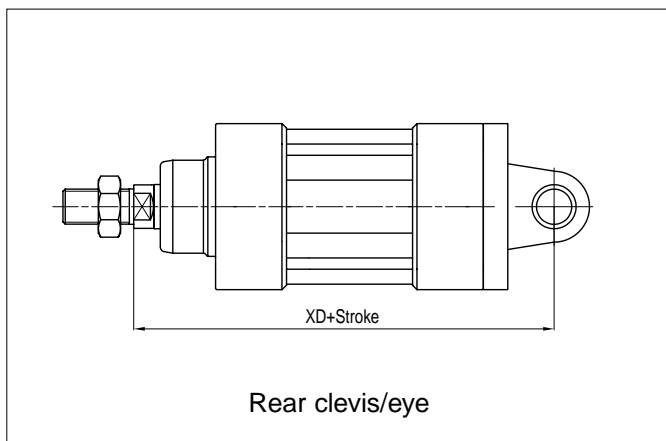
Ø mm	AF	KF	T4	WF	WH	ZJ	ZM
32	12	M6	2,6	26	74	120	146
40	12	M8	3,3	30	85	135	165
50	16	M10	4,7	37	107	143	180
63	16	M10	4,7	37	107	158	195
80	20	M12	6,1	46	136	174	220
100	20	M12	6,1	51	143	189	240
125	32	M16	8	65	187	225	290



Ø mm	AM	B	C	D	L8	WH
32	22	40	12	48	94	26
40	24	44	12	54	105	30
50	32	52	16	69	106	37
63	32	50	16	69	121	37
80	40	64	20	86	128	46
100	40	76	20	91	138	51
125	54	80	35	120	160	65

Cylinders DIN ISO 6431 and VDMA 24 562

Bores from 32 to 125 mm Mounting accessories ISO VDMA



Ø mm	A max	AH	B	C	D	SA	W	XA	XD	XV min	XV max	ZF
32	70	32	22	21	32	142	16	144	142	60	86	130
40	78	36	25	24	36	161	20	163	160	69	96	145
50	91	45	27	33	45	170	25	175	170	78	102	155
63	94	50	32	37	50	185	25	190	190	82	113	170
80	130	63	36	47	63	210	30	215	210	97	123	190
100	145	71	41	55	71	220	35	230	230	107	133	205
125	170	90	50	70	90	250	45	270	275	126,5	163,5	245

For dimensions and codes of the accessories: see page 1.97.1