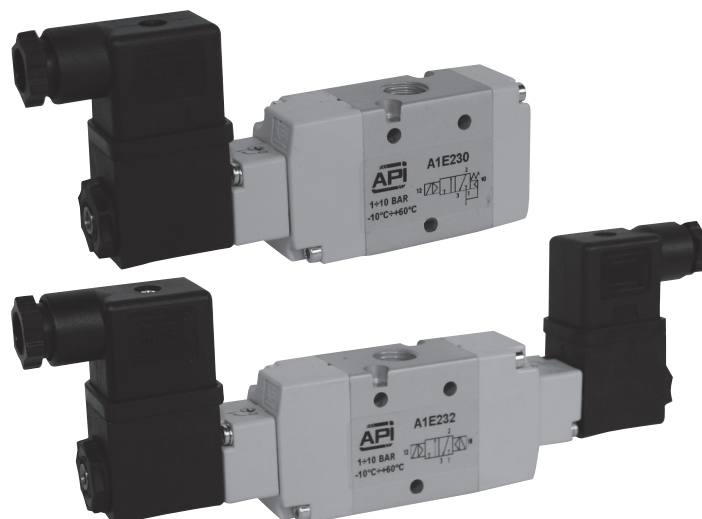


# Valves series A1

## 1/4", 3/2, electrically operated



Executions			
Version	Symbol	Code	Item
3/2 NC		034025	A1E230
3/2 NO		034040	A1E231
3/2 solenoid/solenoid		034024	A1E232
3/2 NC external air pilot		034039	A1K230
3/2 solenoid/solenoid, external air pilot		034023	A1K232



Series of spool valves, with static seals, high flow, for panel or sub-base mounting.

Coils and connectors are to be ordered separately.

For the coils type ASA12... see page 2.200.1

For the connectors type A122... see page 2.210.20

For the sub-bases type A1B2... see page B.2.85.1



On request, they can be supplied according Directive 94/9/EC - **ATEX**  
**CE** **II 2 GDc T5**

### Code key

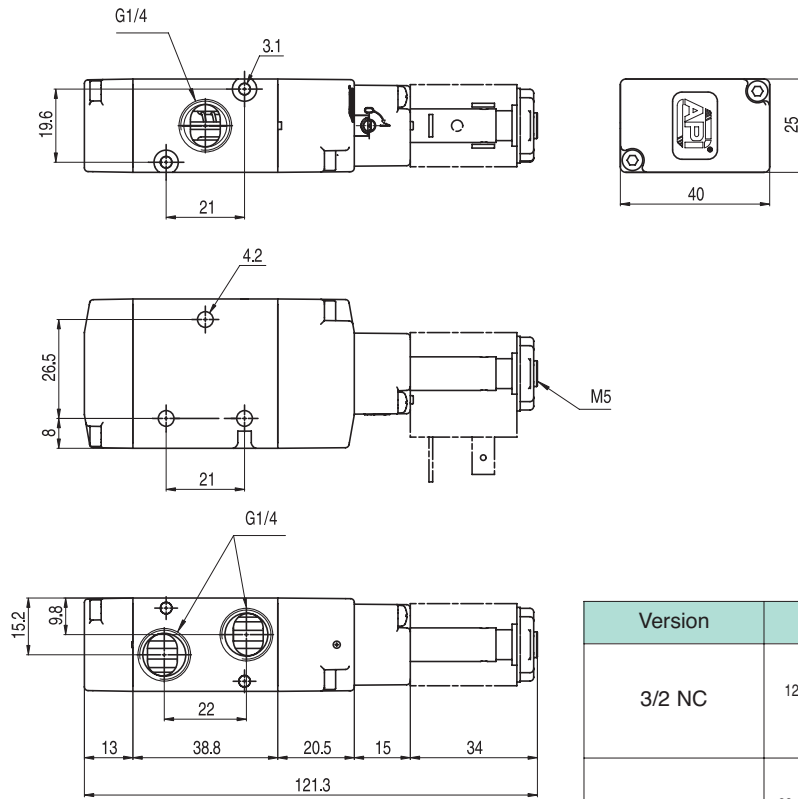
Series	Actuation	Size	Function
A1	E = electrical	1 = 1/8"	30 = 3/2 NC
	K = electrical with external air pilot	2 = 1/4"	31 = 3/2 NO
			32 = 3/2 solenoid/solenoid
			50 = 5/2 solenoid/spring
			51 = 5/2 solenoid/solenoid
			70 = 5/3 CC
			71 = 5/3 CO
			72 = 5/3 CP

Technical data		
Fluid	Compressed filtered air with or without lubrication	
Pressure range	1 ÷ 10 bar	
Temperature range	-10°C ÷ +60°C	
Orifice	8 mm	
Flow	1.100 NI/min at 6 bar with ΔP 1 bar	
Minimum piloting pressure	1,5 bar	Minimum external air pressure: 1,5 bar
Mounting	In any position	
Manual override	Two stable positions	
Response time	Energising:	De-energising:
Materials	Body: Aluminium	Heads: Plastic
	Spool: Chemical nickel plated aluminium	Distancers: Plastic
	Seals: Nitrile rubber (NBR)	

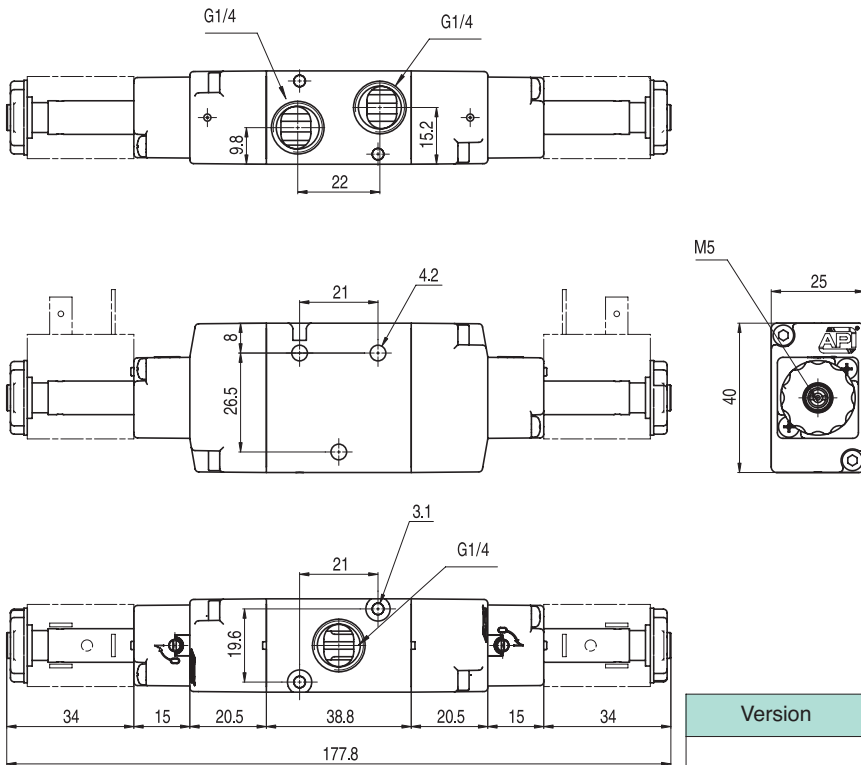
Valves series A1  
1/4", 3/2, electrically operated



2

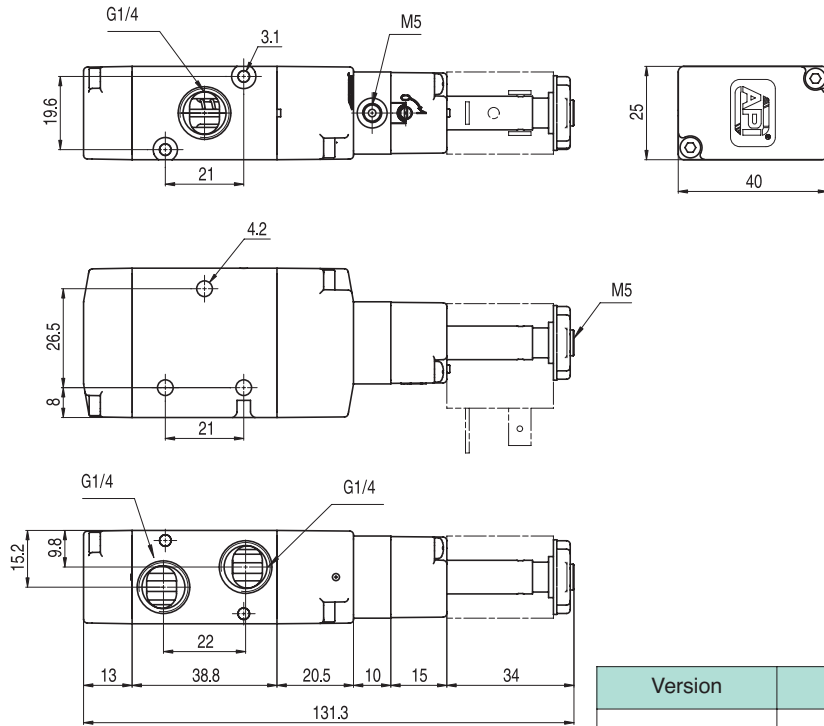


Version	Symbol	Code	Item
3/2 NC		034025	A1E230
3/2 NO		034040	A1E231

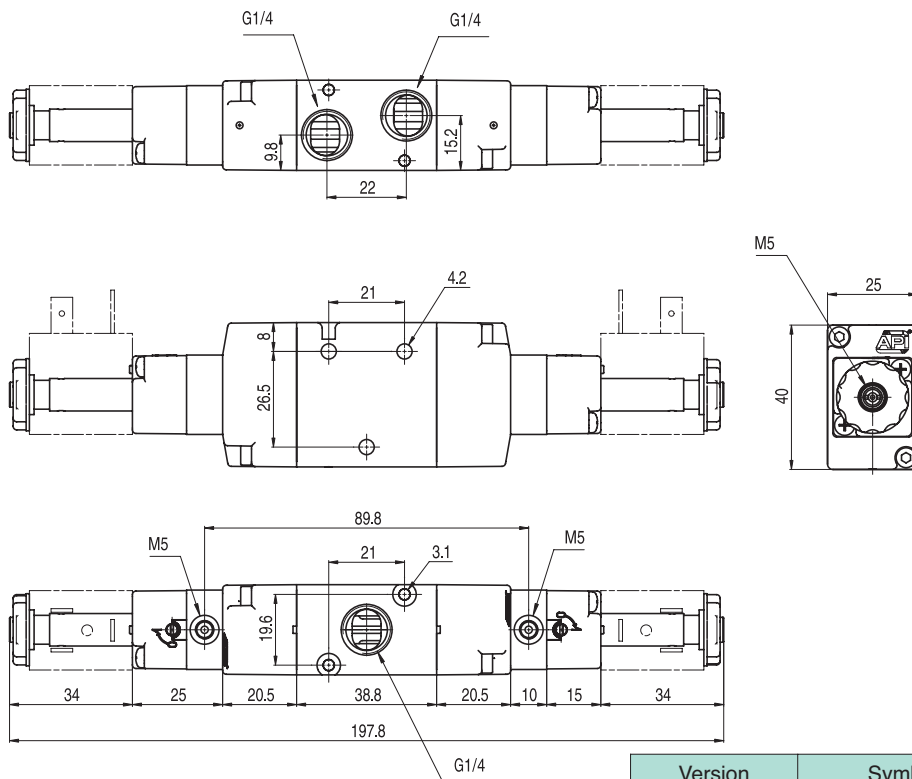


Version	Symbol	Code	Item
3/2 solenoid/solenoid		034024	A1E232

Valves series A1  
1/4", 3/2, electrically operated



Version	Symbol	Code	Item
3/2 NC external air pilot		034039	A1K230



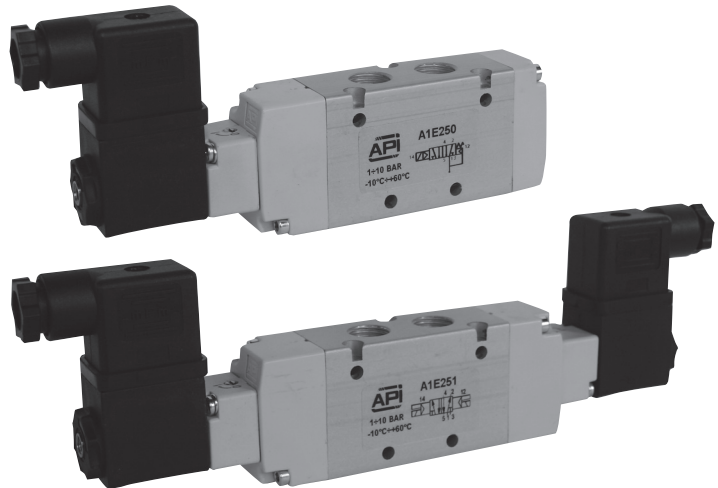
Version	Symbol	Code	Item
3/2 solenoid/solenoid, external air pilot		034023	A1K232

# Valves series A1

1/4", 5/2 - 5/3, electrically operated



Executions			
Version	Symbol	Code	Item
5/2 solenoid/spring		034111	A1E250
5/2 solenoid/solenoid		034121	A1E251
5/3 with closed centres		034131	A1E270
5/3 with open centres		034133	A1E271
5/3 with pressurised centres		034132	A1E272
5/2 solenoid/spring, external air pilot		034035	A1K250
5/2 solenoid/solenoid, external air pilot		034034	A1K251
5/3 with closed centres, external air pilot		034037	A1K270
5/3 with open centres, external air pilot		034038	A1K271
5/3 with pressurised centres, external air pilot		034036	A1K272



Series of spool valves, with static seals, high flow, for panel or sub-base mounting.

Coils and connectors are to be ordered separately.

For the coils type ASA12... see page 2.200.1

For the connectors type A122... see page 2.210.20

For the sub-bases type A1B2... see page B.2.85.1

### Code key

Series	Actuation	Size	Function
A1	E = electrical	1 =	30 = 3/2 NC
	K = electrical	1/8"	31 = 3/2 NO
	with external	2 =	32 = 3/2 solenoid/solenoid
	air pilot	1/4"	50 = 5/2 solenoid/spring
			51 = 5/2 solenoid/solenoid
			70 = 5/3 CC
			71 = 5/3 CO
			72 = 5/3 CP

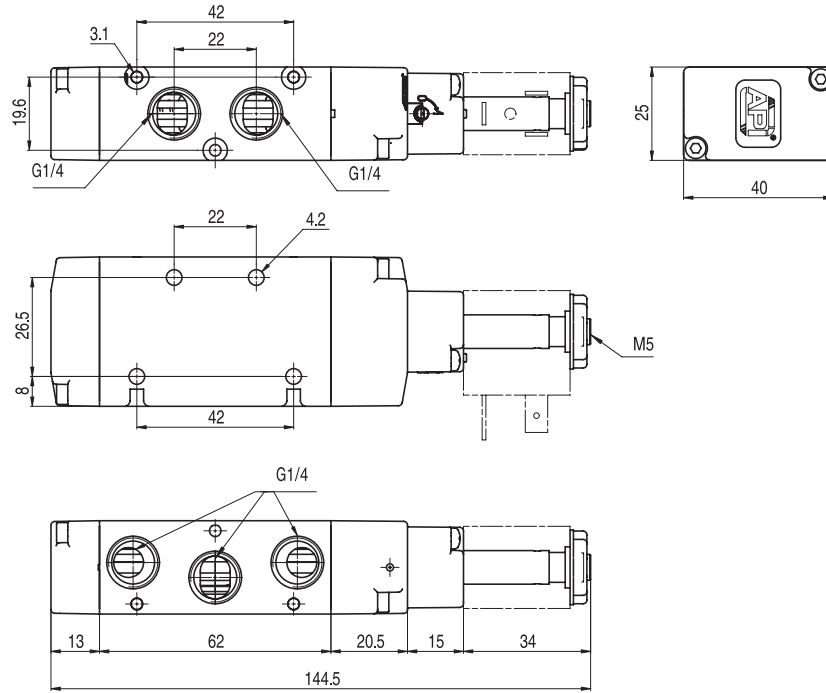


On request, they can be supplied according Directive 94/9/EC - ATEX

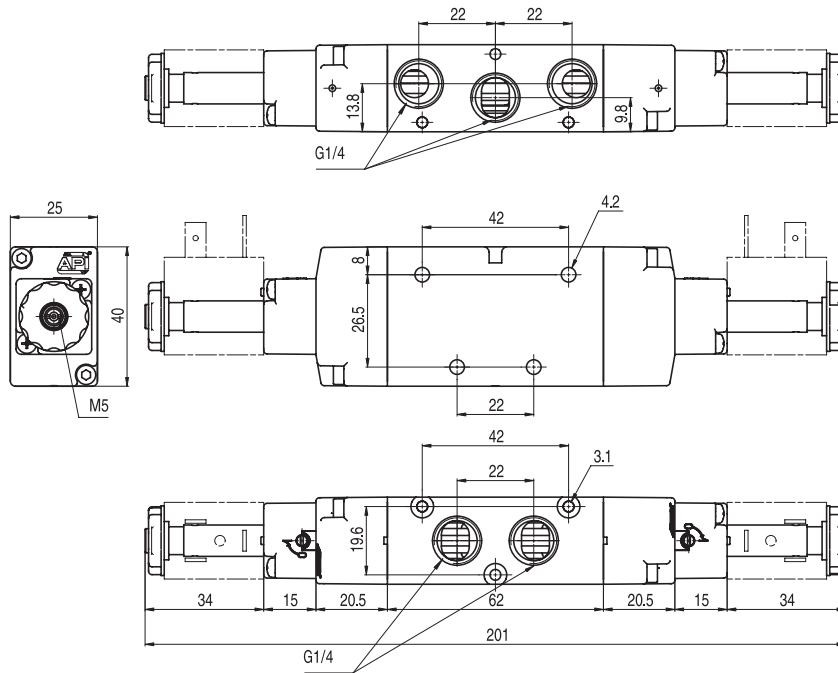
CE II 2 GDC T5

Technical data		
Fluid	Compressed filtered air with or without lubrication	
Pressure range	1 ÷ 10 bar	5/3 = 2,5 ÷ 10 bar
Temperature range	-10°C ÷ +60°C	
Orifice	8 mm	
Flow	1.100 NI/min at 6 bar with ΔP 1 bar	
Minimum piloting pressure	1,5 bar	Minimum external air pressure: 1,5 bar
Mounting	In any position	
Manual override	Two stable positions	
Response time	Energising:	De-energising:
Materials	Body:	Aluminium
	Heads:	Plastic
	Spool:	Chemical nickel plated aluminium
	Distancers:	Plastic
	Seals:	Nitrile rubber (NBR)

Valves series A1  
1/4", 5/2 - 5/3, electrically operated



Version	Symbol	Code	Item
5/2 solenoid/spring		034111	A1E250

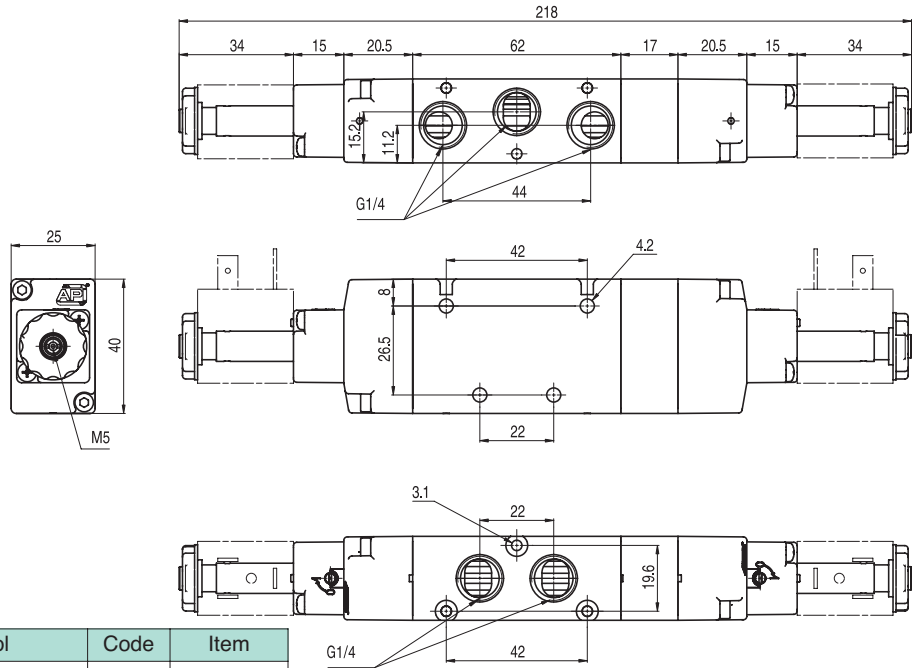


Version	Symbol	Code	Item
5/2 solenoid/solenoid		034121	A1E251

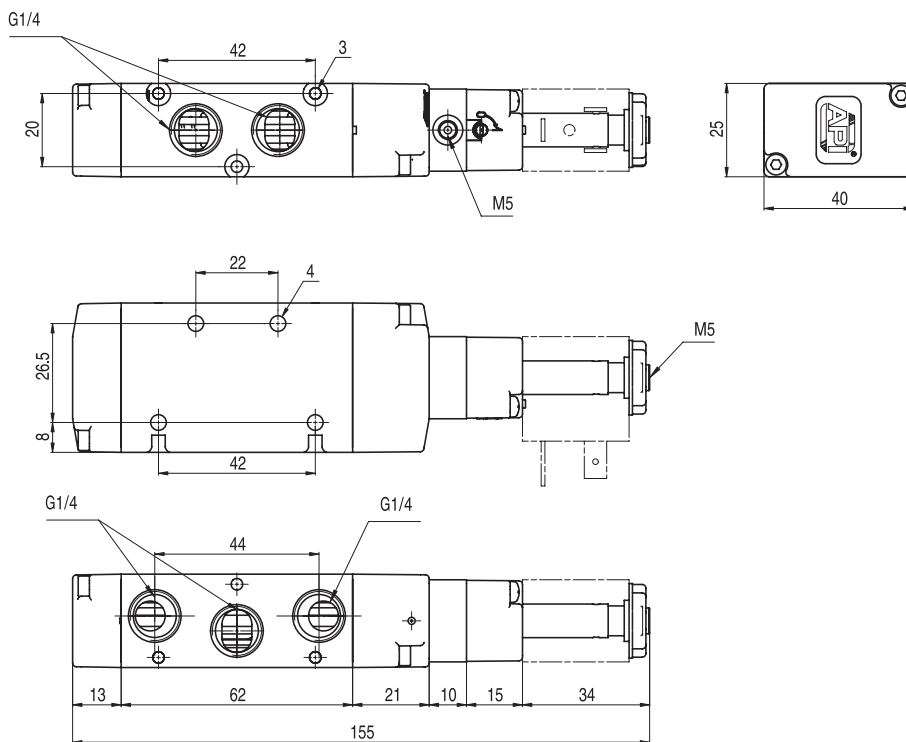
Valves series A1  
1/4", 5/2 - 5/3, electrically operated



2

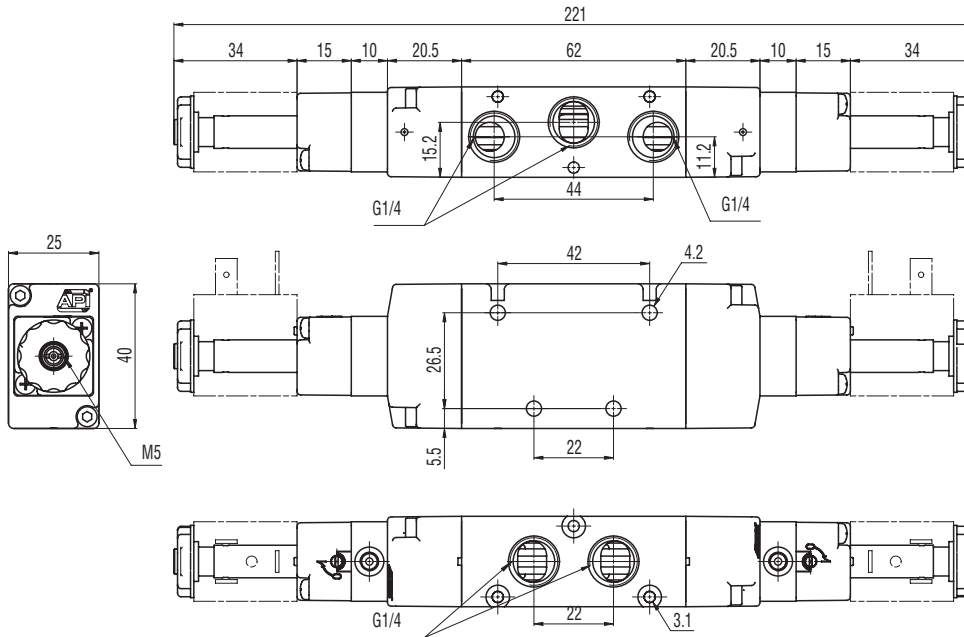


Version	Symbol	Code	Item
5/3 with closed centres		034131	A1E270
5/3 with open centres		034133	A1E271
5/3 with pressurised centres		034132	A1E272

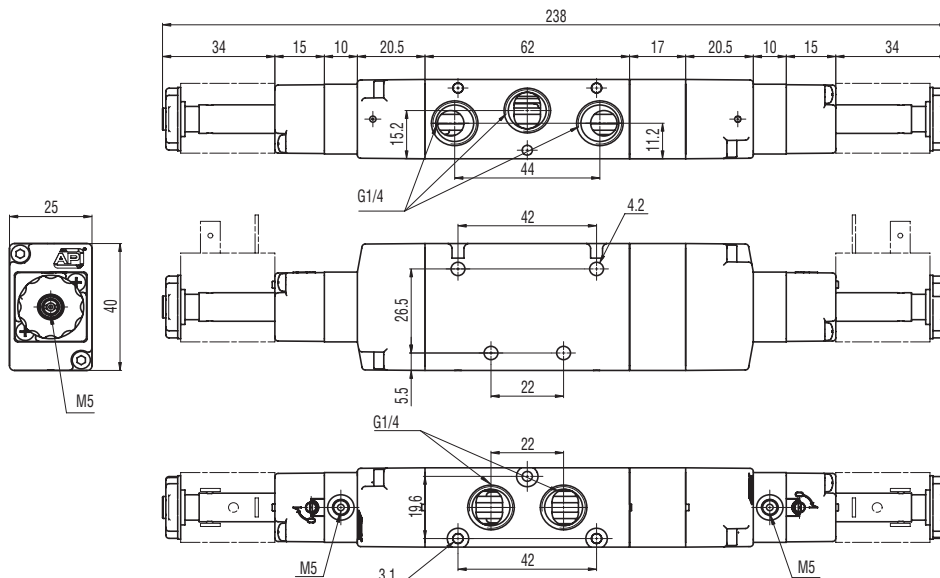


Version	Symbol	Code	Item
5/2 solenoid/spring, external air pilot		034035	A1K250

Valves series A1  
1/4", 5/2 - 5/3, electrically operated



Version	Symbol	Code	Item
5/2 solenoid/solenoid, external air pilot		034034	A1K251



Version	Symbol	Code	Item
5/3 with closed centres, external air pilot		034037	A1K270
5/3 with open centres, external air pilot		034038	A1K271
5/3 with pressurised centres, external air pilot		034036	A1K272