

Valves series A1

1/8", 3/2, electrically operated



| Executions | | | |
|---|--------|--------|--------|
| Version | Symbol | Code | Item |
| 3/2 NC | | 034003 | A1E130 |
| 3/2 NO | | 034004 | A1E131 |
| 3/2 solenoid/solenoid | | 034005 | A1E132 |
| 3/2 NC external air pilot | | 034006 | A1K130 |
| 3/2 solenoid/solenoid, external air pilot | | 034007 | A1K132 |



Series of spool valves, with static seals, high flow, for panel or sub-base mounting.

Coils and connectors are to be ordered separately.

For the coils type ASA12... see page 2.200.1

For the connectors type A122... see page 2.210.20

For the sub-bases type A1B1... see page B.2.65.1



On request, they can be supplied according Directive 94/9/EC - **ATEX**
CE **II 2 GDc T5**

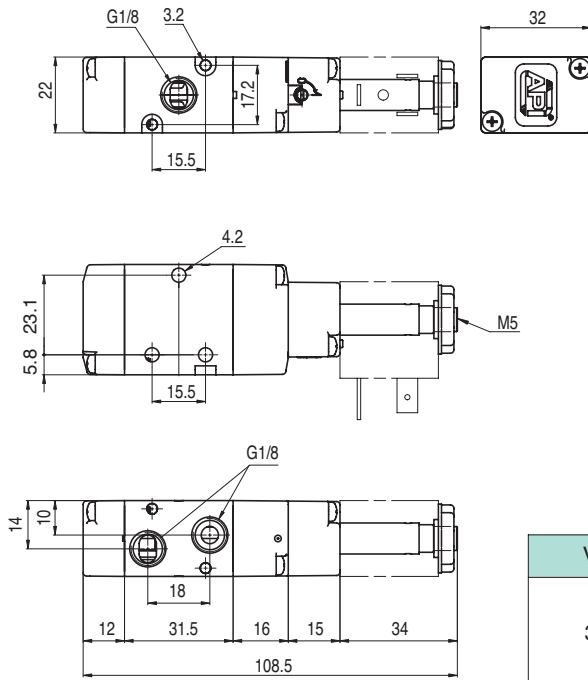
Code key

| Series | Actuation | Size | Function |
|--------|--|----------|----------------------------|
| A1 | E = electrical | 1 = 1/8" | 30 = 3/2 NC |
| | K = electrical with external air pilot | | 31 = 3/2 NO |
| | | 2 = 1/4 | 32 = 3/2 solenoid/solenoid |
| | | | 50 = 5/2 solenoid/spring |
| | | | 51 = 5/2 solenoid/solenoid |
| | | | 70 = 5/3 CC |
| | | | 71 = 5/3 CO |
| | | | 72 = 5/3 CP |

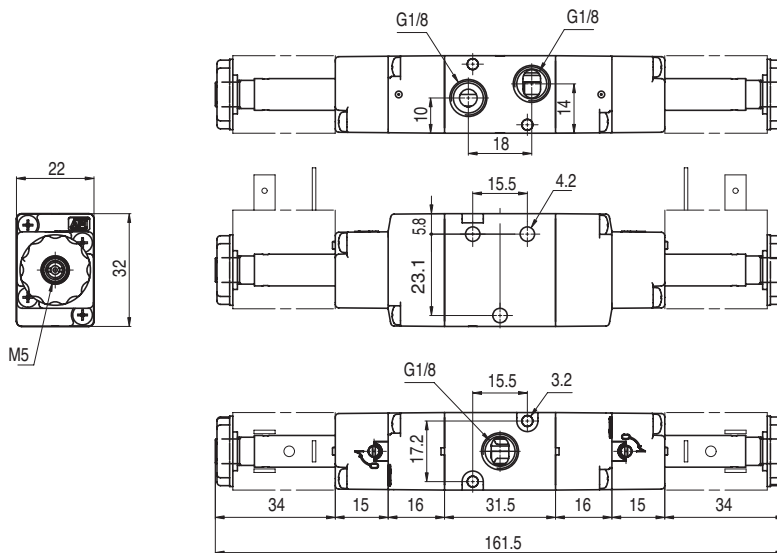
| Technical data | | |
|---------------------------|---|--|
| Fluid | Compressed filtered air with or without lubrication | |
| Pressure range | 1 ÷ 10 bar | |
| Temperature range | -10°C ÷ +60°C | |
| Orifice | 6,5 mm | |
| Flow | 650 NI/min at 6 bar with ΔP 1 bar | |
| Minimum piloting pressure | 1,5 bar | Minimum external air pressure: 1,5 bar |
| Mounting | In any position | |
| Manual override | Two stable positions | |
| Response time | Energising: | De-energising: |
| Materials | Body: Aluminium | Heads: Plastic |
| | Spool: Chemical nickel plated aluminium | Distancers: Plastic |
| | Seals: Nitrile rubber (NBR) | |



Valves series A1
1/8", 3/2, electrically operated



| Version | Symbol | Code | Item |
|---------|--------|--------|--------|
| 3/2 NC | | 034003 | A1E130 |
| 3/2 NO | | 034004 | A1E131 |

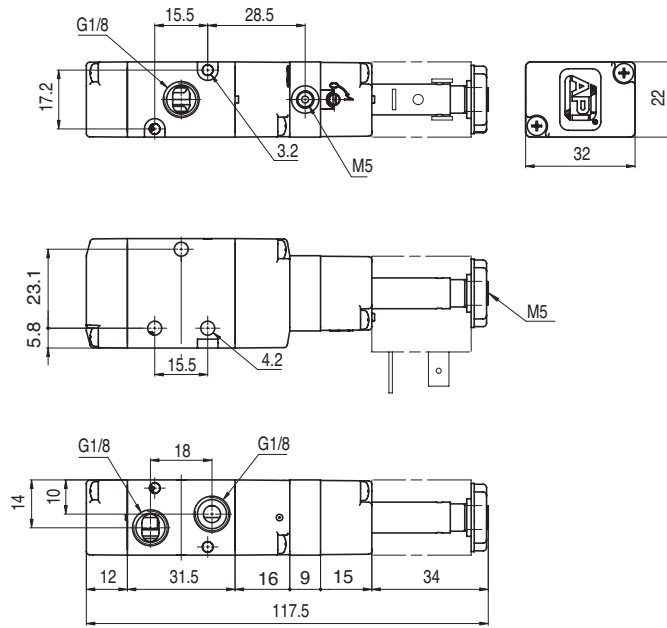


| Version | Symbol | Code | Item |
|-----------------------|--------|--------|--------|
| 3/2 solenoid/solenoid | | 034005 | A1E132 |

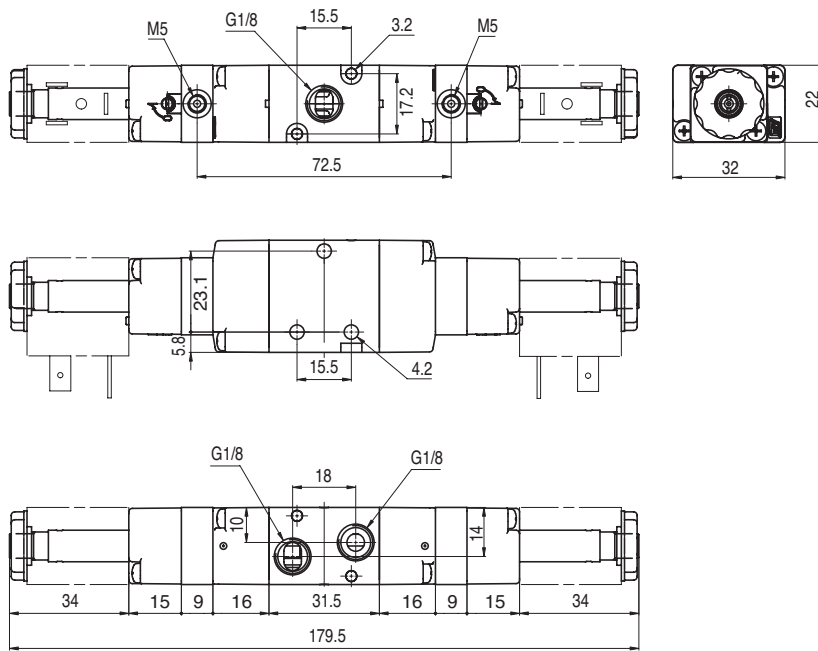
Valves series A1
1/8", 3/2, electrically operated



2



| Version | Symbol | Code | Item |
|------------------------------|--------|--------|--------|
| 3/2 NC external air pilot | | 034006 | A1K130 |



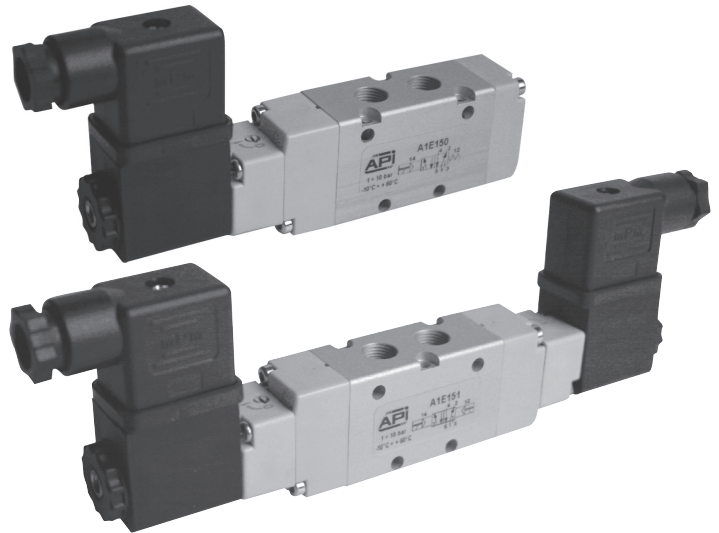
| Version | Symbol | Code | Item |
|---|--------|--------|--------|
| 3/2 solenoid/solenoid, external air pilot | | 034007 | A1K132 |

Valves series A1

1/8", 5/2 - 5/3, electrically operated



| Executions | | | |
|---|--------|--------|--------|
| Version | Symbol | Code | Item |
| 5/2 solenoid/spring | | 034011 | A1E150 |
| 5/2 solenoid/solenoid | | 034021 | A1E151 |
| 5/3 with closed centres | | 034031 | A1E170 |
| 5/3 with open centres | | 034033 | A1E171 |
| 5/3 with pressurised centres | | 034032 | A1E172 |
| 5/2 solenoid/spring, external air pilot | | 034012 | A1K150 |
| 5/2 solenoid/solenoid, external air pilot | | 034008 | A1K151 |
| 5/3 with closed centres, external air pilot | | 034009 | A1K170 |
| 5/3 with open centres, external air pilot | | 034010 | A1K171 |
| 5/3 with pressurised centres, external air pilot | | 034013 | A1K172 |



Series of spool valves, with static seals, high flow, for panel or sub-base mounting.

Coils and connectors are to be ordered separately.

For the coils type ASA12... see page 2.200.1

For the connectors type A122... see page 2.210.20

For the sub-bases type A1B1... see page B.2.65.1

Code key

| Series | Actuation | Size | Function |
|--------|----------------|-------------|----------------------------|
| A1 | E = electrical | 1 = 1/8" | 30 = 3/2 NC |
| | K = electrical | 2 = 1/4" | 31 = 3/2 NO |
| | with external | | 32 = 3/2 solenoid/solenoid |
| | air pilot | | 50 = 5/2 solenoid/spring |
| | | | 51 = 5/2 solenoid/solenoid |
| | | | 70 = 5/3 CC |
| | | | 71 = 5/3 CO |
| | | 72 = 5/3 CP | |



On request, they can be supplied according Directive 94/9/EC - ATEX

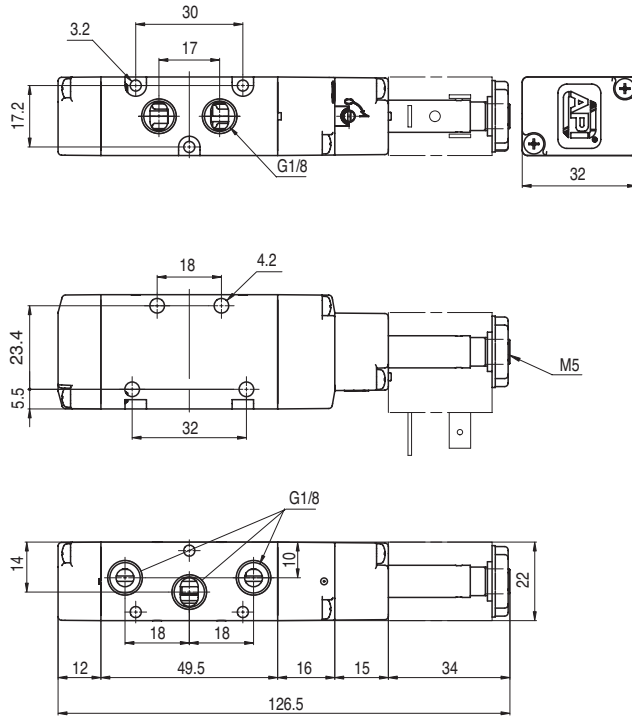
CE II 2 GDc T5

| Technical data | | |
|---------------------------|---|--|
| Fluid | Compressed filtered air with or without lubrication | |
| Pressure range | 1 ÷ 10 bar | 5/3 = 2,5 ÷ 10 bar |
| Temperature range | -10°C ÷ +60°C | |
| Orifice | 6,5 mm | |
| Flow | 650 NI/min at 6 bar with ΔP 1 bar | |
| Minimum piloting pressure | 1,5 bar | Minimum external air pressure: 1,5 bar |
| Mounting | In any position | |
| Manual override | Two stable positions | |
| Response time | Energising: | De-energising: |
| Materials | Body: | Aluminium |
| | Heads: | Plastic |
| | Spool: | Chemical nickel plated aluminium |
| | Distancers: | Plastic |
| | Seals: | Nitrile rubber (NBR) |

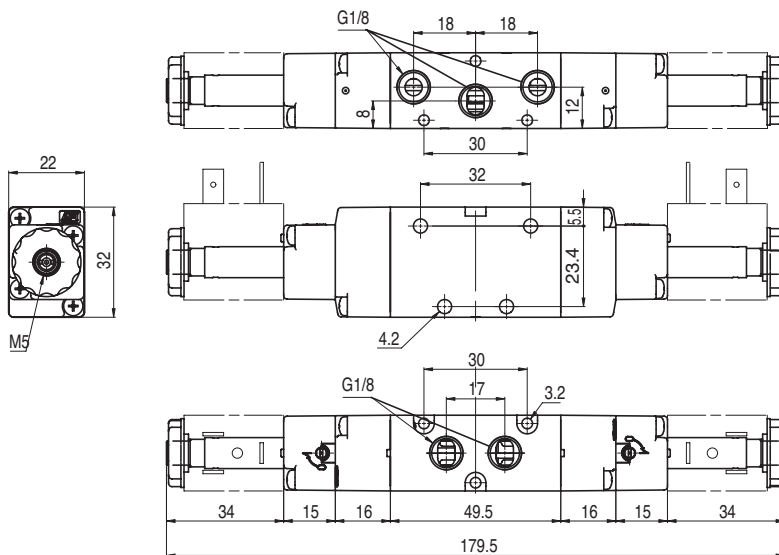
Valves series A1
1/8", 5/2 - 5/3, electrically operated



2



| Version | Symbol | Code | Item |
|------------------------|--------|--------|--------|
| 5/2 solenoid/spring | | 034011 | A1E150 |

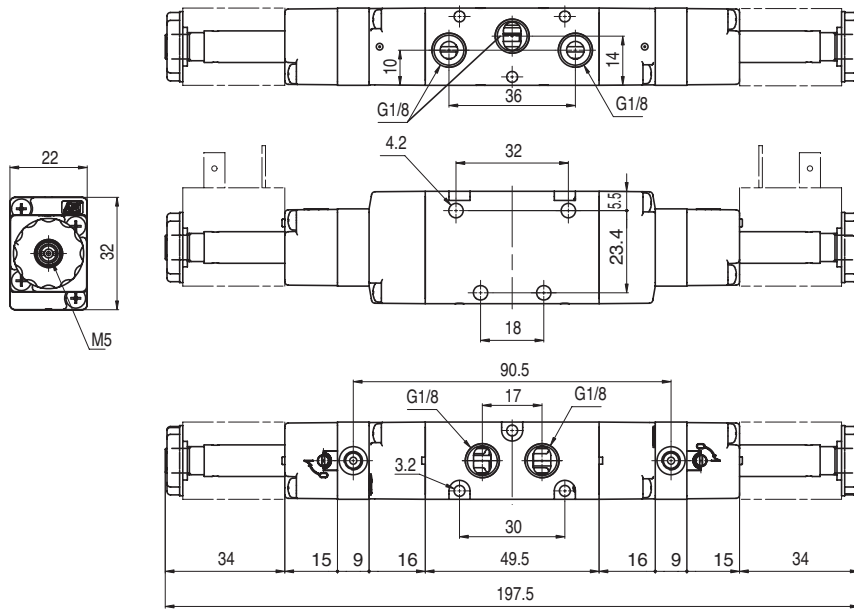


| Version | Symbol | Code | Item |
|--------------------------|--------|--------|--------|
| 5/2 solenoid/solenoid | | 034021 | A1E151 |

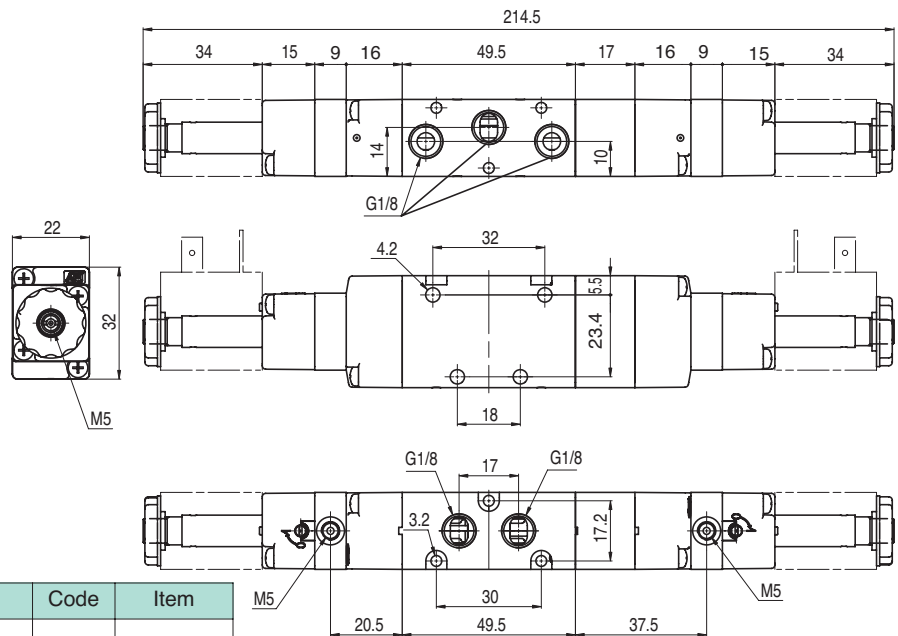
Valves series A1
1/8", 5/2 - 5/3, electrically operated



2



| Version | Symbol | Code | Item |
|---|--------|--------|--------|
| 5/2 solenoid/solenoid, external air pilot | | 034008 | A1K151 |



| Version | Symbol | Code | Item |
|---|--------|--------|--------|
| 5/3 with closed centres, external air pilot | | 034009 | A1K170 |
| 5/3 with open centres, external air pilot | | 034010 | A1K171 |
| 5/3 with pressurised centres, external air pilot | | 034013 | A1K172 |