

Valves series A1

1/4", 3/2, manually operated



Executions			
Version	Symbol	Code	Item
3/2 NC side lever, 1 position		034077	A1MA230LL
3/2 side lever, 2 positions		034076	A1MA232LL
3/2 top lever, 2 positions		034100	A1MA232LT
3/2 NC push-pull, 1 position		034103	A1MA230TT
3/2 push-pull, 2 positions		034104	A1MA232TT



Series of spool valves, with static seals, high flow, for panel or sub-base mounting.



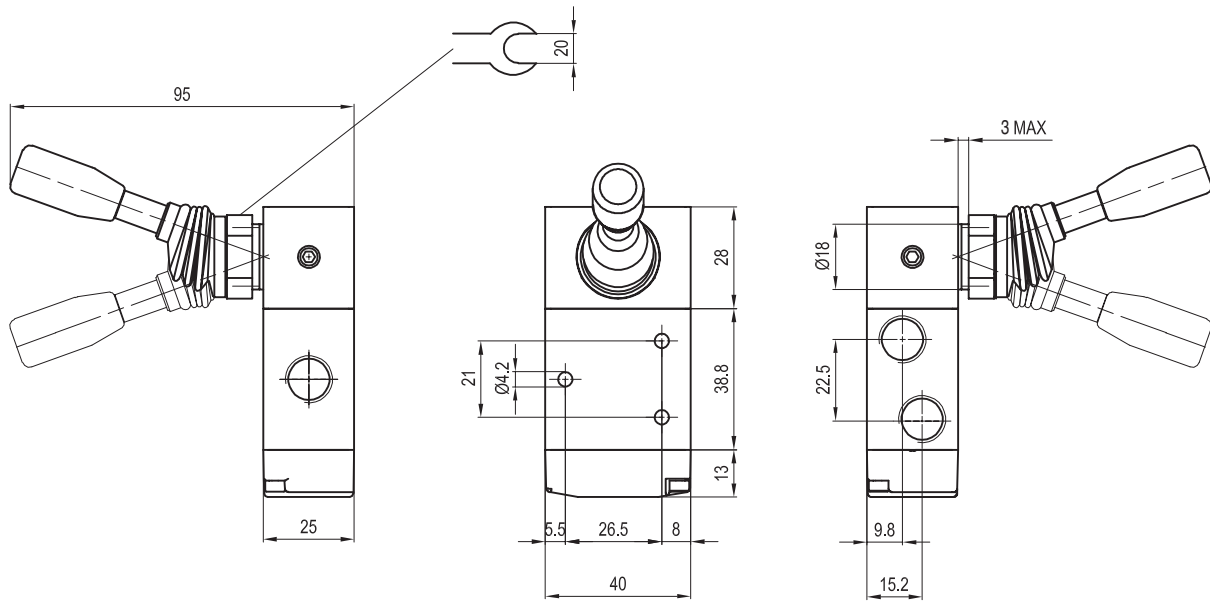
On request, they can be supplied according Directive 94/9/EC - **ATEX**
CE **II 2 GDc T5**

Code key

Series	Actuation	Size	Function	Actuation
A1	MA=Manual	1 = 1/8"	30 = 3/2 NC spring return	LL = side lever
			32 = 3/2 two stable positions	LT = top lever
		2 = 1/4"	50 = 5/2 spring return	TT = push-pull
			51 = 5/2 two stable positions	FR = red head push button
			70 = 5/3 CC spring return	FV = green head push button
			71 = 5/3 CA spring return	FN = black head push button
			72 = 5/3 CP spring return	BR = red recessed button
			73 = 5/3 CC 3 positions	BV = green recessed button
			74 = 5/3 CA 3 positions	BN = black recessed button
			75 = 5/3 CP 3 positions	

Technical data															
Fluid	Compressed filtered air with or without lubrication														
Pressure range	0 ÷ 10 bar														
Temperature range	-10 °C ÷ + 80°C														
Orifice	8 mm														
Flow	1100 NI/min at 6 bar with ΔP 1 bar														
Mounting	In any position														
Materials	<table border="0"> <tr> <td>Body:</td> <td>Aluminium</td> </tr> <tr> <td>Cover:</td> <td>Aluminium</td> </tr> <tr> <td>Bottom plates:</td> <td>Plastic</td> </tr> <tr> <td>Spool:</td> <td>Chemical nickel plated aluminium</td> </tr> <tr> <td>Distancers:</td> <td>Plastic</td> </tr> <tr> <td>Seals:</td> <td>Nitrile rubber (NBR)</td> </tr> <tr> <td>Lever:</td> <td>Steel</td> </tr> </table>	Body:	Aluminium	Cover:	Aluminium	Bottom plates:	Plastic	Spool:	Chemical nickel plated aluminium	Distancers:	Plastic	Seals:	Nitrile rubber (NBR)	Lever:	Steel
Body:	Aluminium														
Cover:	Aluminium														
Bottom plates:	Plastic														
Spool:	Chemical nickel plated aluminium														
Distancers:	Plastic														
Seals:	Nitrile rubber (NBR)														
Lever:	Steel														

Valves series A1
1/4", 3/2, manually operated



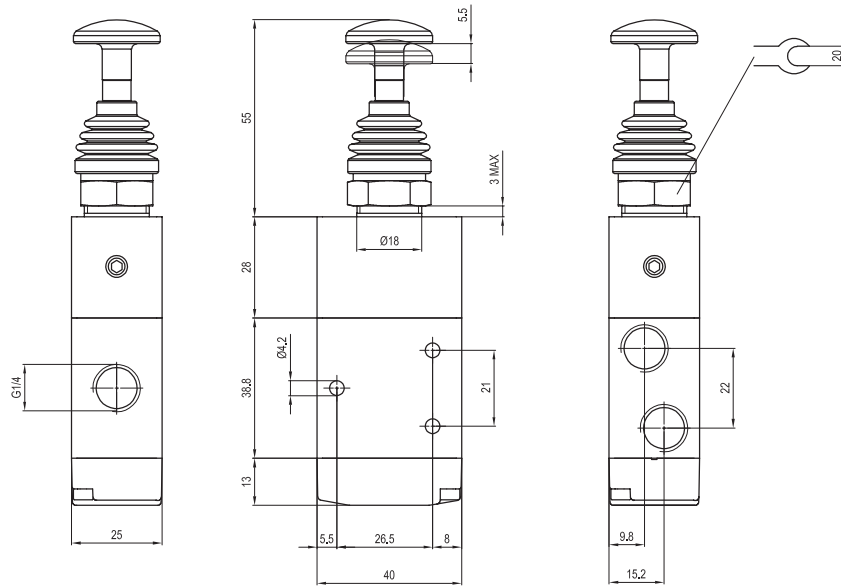
Version	Symbol	Code	Item
3/2 NC side lever, 1 position		034077	A1MA230LL
3/2 side lever, 2 positions		034076	A1MA232LL



2

Version	Symbol	Code	Item
3/2 top lever, 2 positions		034100	A1MA232LT

Valves series A1
1/4", 3/2, manually operated



Version	Symbol	Code	Item
3/2 NC push-pull, 1 position		034103	A1MA230TT
3/2 push-pull, 2 positions		034104	A1MA232TT