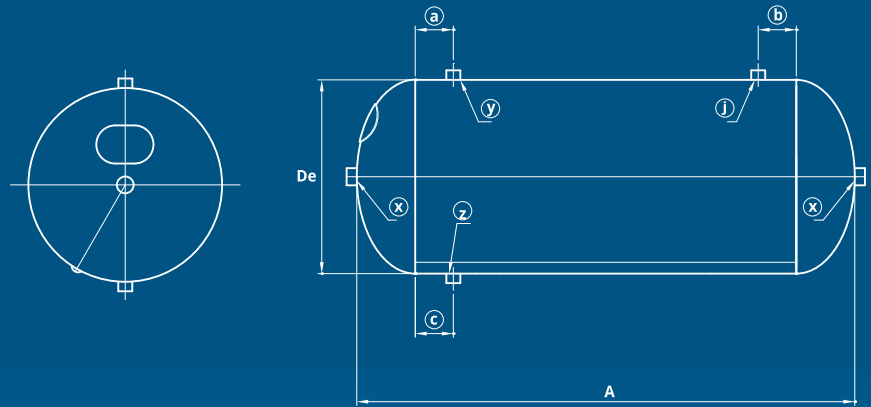


# SMALL-SIZE HORIZONTAL AIR VESSELS



## HORIZONTAL VESSELS WITHOUT BRACKETS



CODE	Directive	Capacity	Operating pressure	De	A	B	C	D	E	H	a	b	c	x	y	j	z	Weight
RAL 5015		Lt	Bar	mm	mm	mm	mm	mm	mm	mm	mm	mm	mm	inch	inch	inch	inch	Kg
VEC01839	2014/29/UE	5	11	150	370	-	-	-	-	-	-	-	-	1/2"	-	-	1/4"	5,5
VEC01238	2014/29/UE	10	11	169	506	-	-	-	-	-	-	60	50	1/2"	-	3/8"	3/8"	7
VEC01239	2014/29/UE	15	11	196	522	-	-	-	-	-	-	60	50	1/2"	-	3/8"	3/8"	8
VEC01240	2014/29/UE	24	11	240	592	-	-	-	-	-	-	60	50	1/2"	-	3/8"	3/8"	9
VEC01241	2014/29/UE	50	11	305	784	-	-	-	-	-	60	60	60	1/2"	1/2"	1/2"	3/8"	18

**DIRECTIVE**

**2014/29/UE**

**OPERATING PRESSURE**

**11/16 BAR**

**OPERATING TEMPERATURE**

**-10 +100°C**

- MATERIAL: CARBON STEEL
- FLUID CONTENT: COMPRESSED AIR / NITROGEN (GROUP 2)
- FINISHING: EXTERNAL RAL 5015 BLUE PAINT (STANDARD) AND INTERNAL AND EXTERNAL HOT-DIP GALVANIZATION
- UPON REQUEST: 1" COUPLINGS ON HEADS

## HORIZONTAL VESSELS WITH FIXED FEET

CODE	Directive	Capacity	Operating pressure	De	A	B	C	D	E	H	a	b	c	x	y	j	z	Weight
RAL 5015		Lt	Bar	mm	mm	mm	mm	mm	mm	mm	mm	mm	mm	inch	inch	inch	inch	Kg
VEC01294	2014/29/UE	5	11	150	370	37,5	200	140	191	120	-	-	137,5	1/2"	-	-	1/4"	6,5
VEC01249	2014/29/UE	10	11	169	506	85	240	172	205	115	-	60	50	1/2"	-	3/8"	3/8"	8
VEC01237	2014/29/UE	15	11	196	522	85	240	172	205	135	-	60	50	1/2"	-	3/8"	3/8"	9
VEC01250	2014/29/UE	24	11	240	592	95	260	180	235	165	-	60	50	1/2"	-	3/8"	3/8"	10
VEC01251	2014/29/UE	50	11	305	784	100	400	236	285	203	60	60	60	1/2"	1/2"	1/2"	3/8"	19
VEC01715	2014/29/UE	24	16	240	592	95	260	180	235	165	-	60	50	1/2"	-	3/8"	3/8"	13
VEC02313	2014/29/UE	50	15	305	784	100	400	249	301	203	60	60	60	1/2"	1/2"	1/2"	3/8"	23

